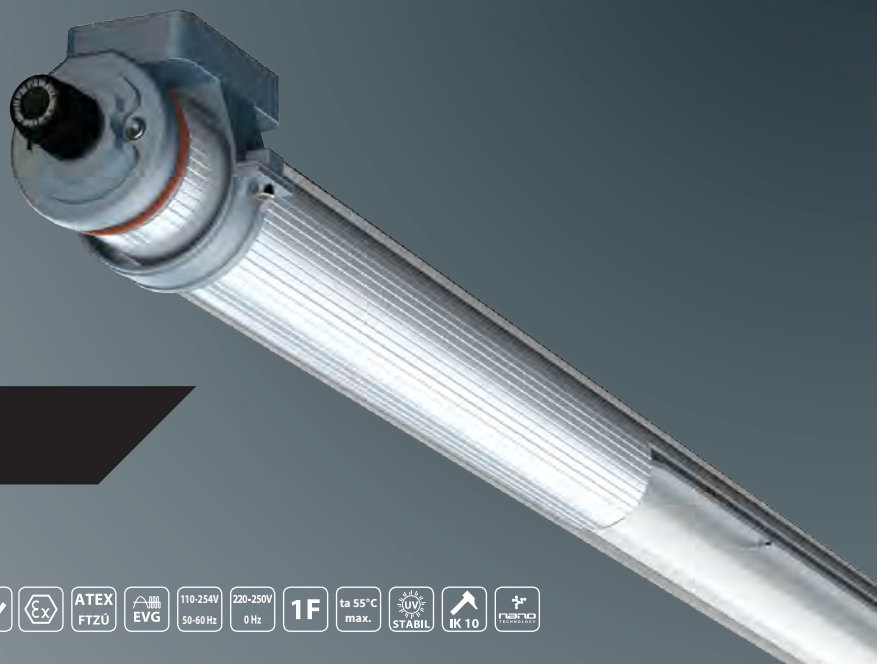




5 year warranty

AQUA-70-Ex-LED

IP 68



Application: premises with danger of explosion. Light fixture is certified by FTZÚ Ostrava-Radvanice (certificate FTZÚ 17 ATEX 0052X).

Ballast: Electronic ballast 110-254 V, 50-60 Hz AC
Electronic ballast 220-250 V, 0 Hz DC

Body: Plastic tube with outer diameter of 70 mm and wall thickness of 4 mm made from PC (polycarbonate), transparent colour; sealing plugs at the ends of tubes. Inside the tube is aluminum profile for mounting components. Special aluminium profile serves to cover electrical parts.

Fastening: Fastening on ceiling or wall lighted area with mounting brackets, suspension by means of self-locking suspenders or with suspension brackets

Connection: WAGO® Ex terminal block, max. diameter of wires 4,0 mm²

Calculated lifetime - LED modules: L80B10 ta40 - 70 000h
L70B10 ta40 - 100 000h

Standard equipment: 1 pc sealing cable gland, 1 pc sealing plug

On request: 4K-6K - colour temperature
1/3 F - one or three phase through-wiring connection
NANO - light fixture protected by special nanolayer (hydrophobic, oleophobic or antibacterial protection)

		T ₀ /A	(lm)*	(W)**	AxBxC (mm)
- t_a -20°C ≤ t_a ≤ +55°C					
084011	AQUA-70-Ex-LED-D-2500-118-4K	4000	2389	29	1144 x 425x 65
084012	AQUA-70-Ex-LED-D-5000-136-4K	4000	4421	52	1755 x 478x 65
084015	AQUA-70-Ex-LED-WOD-2500-118-4K	4000	2389	29	1144 x 425x 65
084016	AQUA-70-Ex-LED-WOD-5000-136-4K	4000	4421	52	1755 x 478x 65

- special equipment	
008060	Cable gland Ex M20x1,5
008097	Plastic nut WISKA EMUG 20 M20x1,5
008090	Sealing plug Ex M20x1,5
007047N	Flat sealing ring EPDM 27x18,5x1,5 mm
053630	Plastic mounting bracket light grey- (1 pc)
053629	Plastic mounting bracket - dark grey (1 pc)
053627	Stainless steel mounting bracket (1 pc)

(lm)* - luminous flux, (W)** - input power

Application of light fixtures in areas with danger of explosion

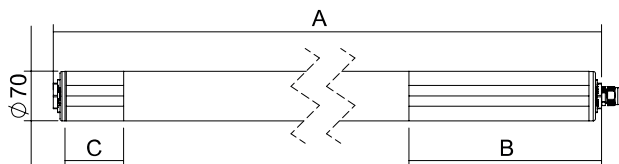
	Marking of external influences	Classification areas	Formation prescription
Danger of explosion of flammable dust	BE3N1	ZÓNA 21,22	ČSN EN 60079-14 ČSN EN 60079-10-2
Danger of explosion of flammable gases and vapors	BE3N2	ZÓNA 1,2	ČSN EN 60079-14 ČSN EN 60079-10-1

AQUA-70-Ex-LED-D	AQUA-70-Ex-LED-WOD
⊕ II 2G Ex db eb mb op is IIC T4 Gb	⊕ II 2G Ex eb mb op is IIC T4 Gb
⊕ II 2D Ex tb op is IIIC T62°C Db	⊕ II 2D Ex tb op is IIIC T62°C Db

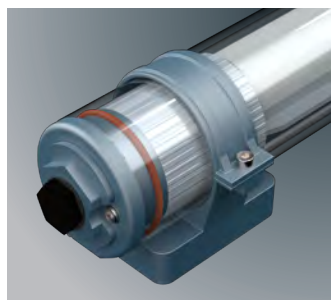
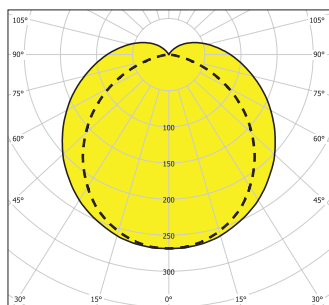
Type marking

AQUA-70-Ex-LED-D-XXXX-YYY	type for standard operation with disconnector
AQUA-70-Ex-Em-LED-WOD-XXXX-YYY	type for standard operation without disconnector
XXXX*	value of luminous flux (lumen) 2500/5000
YYY*	type of body of luminaire 18/36

FTZÚ 17 ATEX 0052X



AQUA-70-Ex-LED-5000-136-4K, IP68



- 053629, 053630, 053627



STL International Ltd

Hill Farm, Linton Hill, Maidstone, Kent, ME17 4AL, UK T. +44 (0)1622 749633 eMail. solutions@stl-int.co.uk Web. www.stl-int.co.uk