



Daylight Sensor



DS-Ex

IP 66



Application: Daylight sensor for hazardous area

Body: Aluminium alloy with powder paint finish

Diffuser: Borosilicate glass

Mounting: Ceiling/Wall mounted

ATEX certified: Zone 1/21

II 2G Ex d IIC T6 Gb

II 2D Ex tb IIIC T80°C Db IP66 IK08

AmbT: -20°C to +55°C

Voltage: 220-240V AC

Switching load: 400W (Capacitive) or 800W (Resistive)

Control: Adjustable threshold (DIP switches)
2, 10, 30, 50, 100, 300, 500 Lux

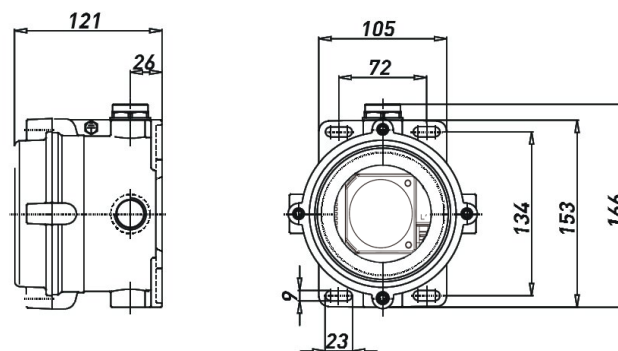
Termination: L, Ls, Nx2, PE; max. 4mm²
Loop in/Loop out

Entries: 3 x M25

Weight: 2kg

Optional:

- Adjustable mounting bracket



Daylight Threshold

	1	2	3	4	5	6	
I	●	●	●	●	●	●	Disable
II	○	○	○	○	○	○	2 Lux
III	○	○	○	○	○	○	10 Lux
IV	○	○	○	○	○	○	30 Lux
V	○	○	○	○	○	○	50 Lux
VI	○	○	○	○	○	○	100 Lux
VII	○	○	○	○	○	○	300 Lux
VIII	○	○	○	○	○	○	500 Lux

ON/OFF Function

