



5 year warranty

HDTLS-Ex-LED

IP 66



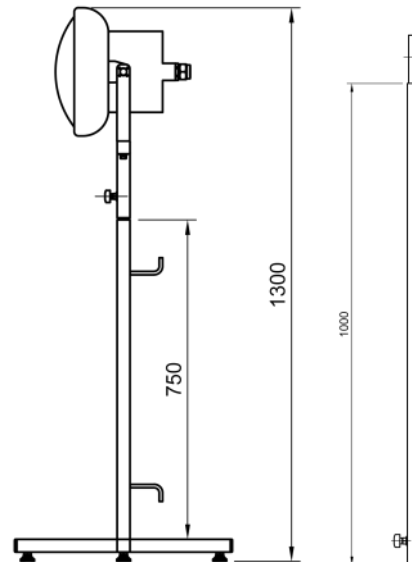
Features:

- 1m Heavy duty temporary lighting stand in 304 stainless steel
- Adjustable mounting feet
- LED Exd floodlight BLD230-80, 80W
Body: Copper-free aluminium alloy.
Dome: Shock and temperature resistant borosilicate glass.
- 10m of 3x2.5mm² HO7RNF heavy duty trailing rubber flexible cable (Plug optional)
- ATEX certified for zone 1
EX II 2 GD Ex d IIC T3 Gb, Ex t IIIB T85°C Db, IP66
- Supply voltages: 100-277Vac 50/60Hz
- AmbT. -20°C to +40°C
- Weight: 13.5kg

Optional:

- Supply voltages: 24Vdc, 48Vdc
- Ex plug (CEAG, SCAME, Marechal or to customer specification)
- 1m Extension pole
- SY flexible braided armoured cable
- 25m Extension lead (double-sided)

Dimensions:



Plugs (optional):



HDTLS304-80W-10HO	Heavy duty temporary light stand in 304 stainless steel, 80W floodlight, 10m 3G HO7RNF, No plug
HDTLS304-80W-10HO3G2.5-CEAG110_4h	Heavy duty temporary light stand in 304 stainless steel, 80W floodlight, 10m 3G 2.5mm ² HO7RNF, CEAG Enhanced 16A plug 110Vac 4h
HDTLS304-80W-10HO3G2.5-CEAG230_6h	Heavy duty temporary light stand in 304 stainless steel, 80W floodlight, 10m 3G 2.5mm ² HO7RNF, CEAG Enhanced 16A plug 230Vac 6h
HDTLS304-EXT-1M	1m 304 stainless steel extension pole
EXTLD-25HO3G2.5-CEAG110_4h	25m Extension lead 3G 2.5mm ² HO7RNF, CEAG Enhanced 16A plug and coupler 110Vac 4h
EXTLD-25HO3G2.5-CEAG230_6h	25m Extension lead 3G 2.5mm ² HO7RNF, CEAG Enhanced 16A plug and coupler 230Vac 6h

STL International Ltd

Hill Farm, Linton Hill, Maidstone, Kent, ME17 4AL, United Kingdom
t. +44(0)1622 749633, f. +44(0)1622 746800, e. solutions@stl-int.co.uk, www.stl-int.co.uk