

Motion Detector



MWS-Ex-DC

IP 66



Application: High frequency motion sensor for hazardous area

Body: Aluminium alloy with powder paint finish

Diffuser: Borosilicate glass

Mounting: Ceiling/Wall mounted

ATEX certified: Zone 1/21

II 2G Ex d IIC T6 Gb

II 2D Ex tb IIIC T80°C Db IP66 IK08

AmbT: -30°C to +55°C

Input voltage: 12-48Vdc

Switching load: 12V <10A, 24V <5A, 48V <2A
(Output voltage = Input voltage)

Motion detection sensitivity: 0.3...3m/s with synchronised control

Control: - Sensitivity control up to 8m dia.(Adjustable)
- Adjustable ON/OFF timer, 5s - 30min
- Photocell: Adjustable threshold

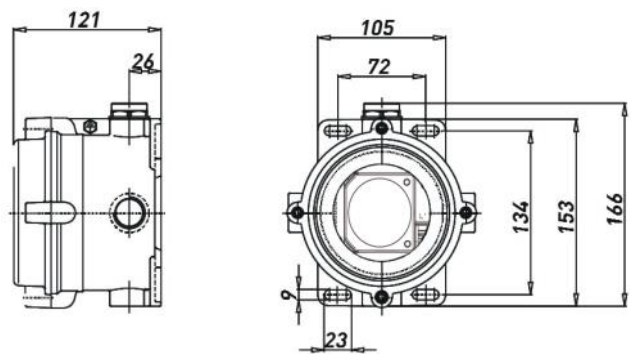
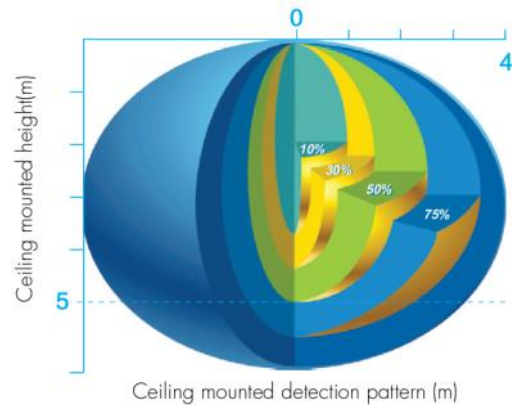
Termination: +/- input, +/- output, PE; max. 4mm²

Entries: 3 x M25

Weight: 2kg

Optional:

- Adjustable mounting bracket



ON/OFF Function

