

## Floodlights Прожекторы



**Application:** indoor and outdoor industrial areas, such as advertising boards, sport grounds, parking areas, stores, outdoor work areas etc. Series K-2 and series K-3 - IP65.

**Body:** surface-finished aluminium casting. Each type includes two cable glands. Diffuser made from tempered safety glass.

**Reflector:** aluminium sheet.  
Variants of reflector : symmetric (-SYM) and asymmetric reflector (-ASYM).

**Gear tray:** galvanized sheet 1,5 mm thick

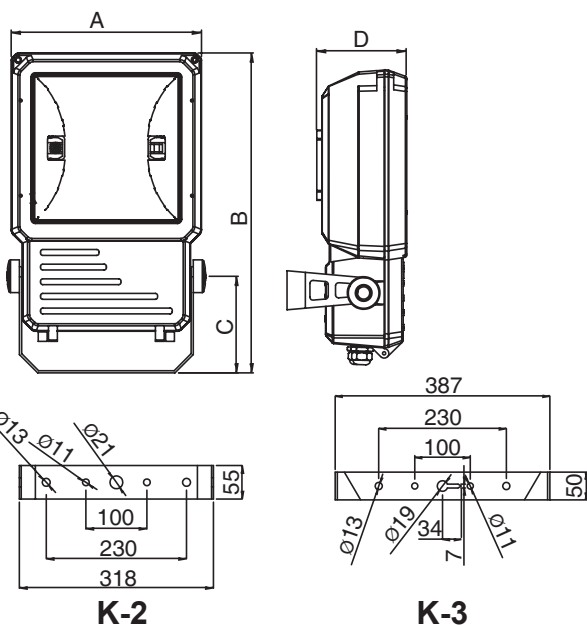
**Fastening system:** direct fastening on the base by means of positioning bracket grip.

Technical parameters of the fixtures are referred in table on page 142.



STL International Ltd  
Hill Farm, Linton Hill  
Linton, Maidstone  
Kent. ME17 4AL  
United Kingdom  
tel. +44 (0)1622 749633  
fax. +44 (0)1622 746800  
email. solutions@stl-int.co.uk  
web. www.stl-int.co.uk

42.



Order no	Model	Lamp/ socket	Dimensions [mm]	Weight [kg]
			A x B x C x D	
<b>K-2</b>				
54508	K-2-250S-SYM, 1x250W	HST/E40	350 x 524 x 160 x 146	-
54509	K-2-250S-ASYM, 1x250W			-
54510	K-2-250H-SYM, 1x250W, 3,0A	HIT/E40		9,9
54511	K-2-250H-ASYM, 1x250W, 3,0A			10,2
54521	K-2-250H-SYM, 1x250W, 2,15A			9,4
54520	K-2-250H-ASYM, 1x250W, 2,15A			-
<b>K-3</b>				
54512	K-3-400S-SYM, 1x400W	HST/E40	452 x 660 x 218 x 180	-
54513	K-3-400S-ASYM, 1x400W			17,1
54514	K-3-400H-SYM, 1x400W, 4,2A	HIT/E40		-
54515	K-3-400H-ASYM, 1x400W, 4,2A			-
54523	K-3-400H-SYM, 1x400W, 3,5A			-
54522	K-3-400H-ASYM, 1x400W, 3,5A			-

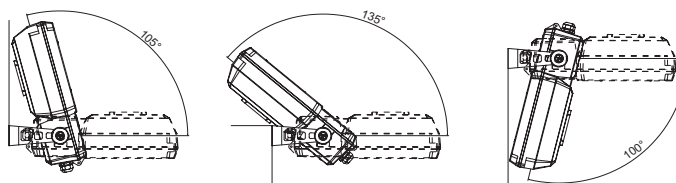
Marking/ обозначение:  
S - high pressure sodium lamp / натриевая лампа высокого давления  
H - metal halide lamp / галогенидная лампа

The fixtures have to be used with the tubular source.  
У светильников возможно использовать только лампы – тубус.

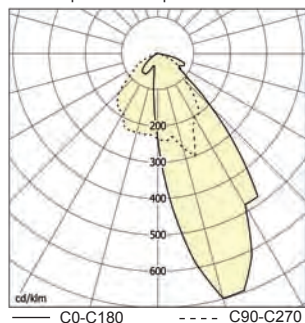


Instruction for correspondent lamps is available on [www.vyrtych.com](http://www.vyrtych.com) / Инструкция по соответствующим лампам приведена на [www.vyrtych.com](http://www.vyrtych.com)

The permissible positions during the operation of the fixture  
Позволенные позиции в работе светильника



K-2-250H, 1x250W - asymmetric reflector  
асимметрический Отражатель



K-3-400H-S, 1x400W

