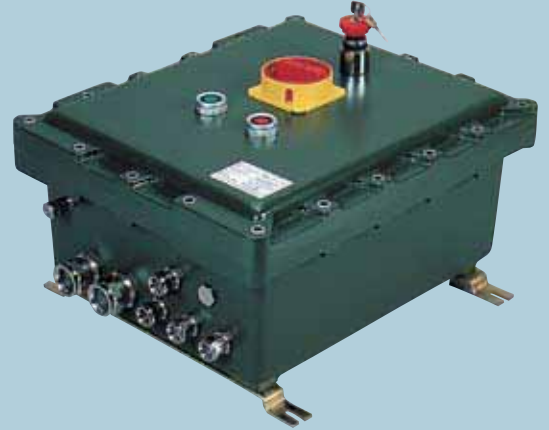


The EJB range of Ex d IIB / IIB+H<sub>2</sub> enclosures are manufactured Copper free Aluminium (Cu <0.1%) and designed for control, check, signal, automation, interruption and/or protection use.

### Specifications

<b>Material</b>	Copper-free aluminium (Cu <0.1%)
<b>IP Rating</b>	IP66-67 with flanged joint coated with silicone grease (contact our sales dept. for detailed reference)
<b>Temperature</b>	-50°C to 55°C -50°C to 40°C with intrinsically safe elements "ia" or "ib"
<b>Approvals</b>	
- ATEX	INERIS 00ATEX0021X IMQ 09ATEX018U
- GOST	GOST Certificate
<b>Standards</b>	EN/IEC: 60079-0, 60079-1, 60079-11, 61241-0, EN: 61241-1, 61241-11
<b>Ex-code</b>	<p>⊕ II 2 GD Ex d IIB T6/T5/T4/T3 Ex d IIB+H<sub>2</sub> T6/T5/T4/T3 Ex tD A21 IP66 T85°C/T100°C/T135°C/T200°C</p> <p>⊕ II 2(1) GD Ex d [ia] IIB T6 Ex d [ia] IIB+H<sub>2</sub> T6 Ex tD [ia] A21 IP66 T85°C</p>
<b>Surface treatment</b>	According to European Directive 94/9/EC (ATEX) For Zone 1 / Zone 2, Zone 21 / Zone 22
<b>Drain plug</b>	External polyurethane painting (RAL 6003) The enclosures can be equipped with drain and/or breather devices: ECR-1; ECR-2 type
<b>Entries thread</b>	Metric pitch 1.5, NPT
<b>Standard identification</b>	Identification nameplate is realized in high resistance self-adhesive polyester with thermal transfer inscriptions
<b>Quantity for entries</b>	Maximum quantity of entries per side A/B: check table's references
<b>Quantity for terminals</b>	Maximum quantity of terminals per size in sqmm check table's references
<b>Accessories on Request</b>	Painted Polyurethane finish (standard) RAL 6003 colours External polyurethane customized painting
<b>Main Applications</b>	EJB...- Instruments Housing (Windows) EJB...- Moulded Case Circuit Breakers (MCCB) EJB...- On Load Switches (I) EJB...- Fuse On Load Switches (IF) EJB...- Lighting / Power Distribution Panel (QADL) EJB...- Motor Control Starter (TTB) EJB...- Reverse Motor Control Starter (ITB) EJB...- Star Delta Motor Control Starter (STB)
<b>Note</b>	<p><b>Bearing in mind the infinite number of combinations between:</b></p> <ul style="list-style-type: none"> <li>• quantity of terminals,</li> <li>• relevant cross section,</li> <li>• class of temperature,</li> <li>• ambient temperature</li> </ul> <p>... we suggest using our software <b>CALCUBOX</b> to set up the compatible terminals strips and entries. A free copy of <b>CALCUBOX</b> is usually supplied together with the CD version of this product Catalogue is also available to download from our website.</p>

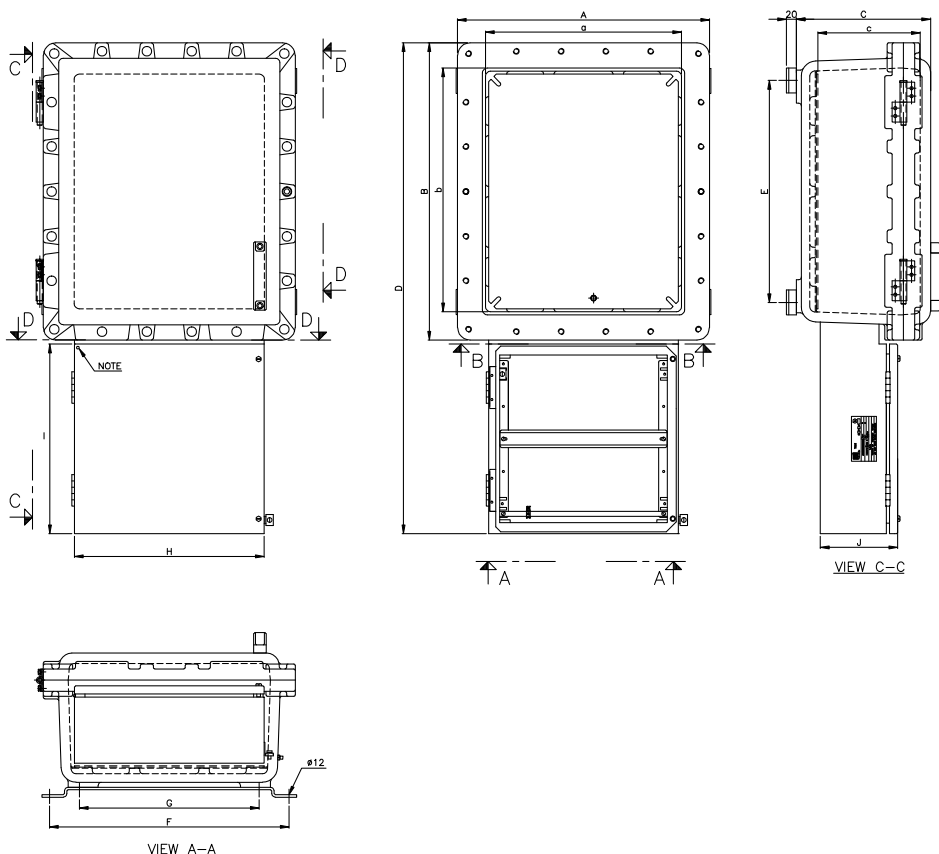


### Measurement table for Ex d IIB Explosion proof enclosures

TYPE	A	B	C	D	E	F	G	a	b	c	Mounting plate	No. of M42x1,5 holes	Weight incl. Ex e connection box
EJB 5	300	480	232	686,5	350	300	185	209	391,5	181.5	200x385	2	24 kg
EJB 6	408	483	238	775	355	390	280	310	384	185	300x380	4	38 kg
EJB 8	365	634	634	1026	495	340	225	261	531	205.5	250x520	4	42.5 kg
EJB 9	467	535	535	921.5	410	440	340	363	431	205	350x420	5	48 kg
EJB 10	368	755	755	1139	580	330	205	252	639.5	248	240x620	4	55 kg
EJB 11	505	596	596	984	445	480	360	393	488.5	205	380x470	5	61.5 kg
EJB 12	455	805	805	1267	640	425	285	335	690	243	325x675	8	82 kg
EJB 13	607	832	832	1244	630	580	405	499	723	236	470x690	6	116 kg
EJB 13A	607	832	832	1244	630	580	405	499	723	322	470x690	12	135 kg

### Measurement table for Ex e connection boxes

Type	TNCN/TNCC			Corresponding EJB enclosure
	H	I	J	
191915	190	190	150	EJB5
282815	280	280	155	EJB6
283815	280	380	155	EJB8/EJB10
383815	380	380	155	EJB9/EJB11
354520	350	450	205	EJB12
504015	500	400	155	EJB13
504020	500	400	205	EJB13A





### EJB...Instruments Housing (Windows)

EJB lids may be equipped with inspection windows made of tempered glass. The EJB can accommodate square, rectangular and circular windows and the relative size and position is shown in the reference table. EJB instrument housing enclosures are designed to order to customer specification.



### EJB...Moulded Case Automatic Circuit Breakers (MCCB)

EJB range enclosures are compatible with any type of MCCB (Moulded Case Circuit Breakers) when used in accordance with relevant EN/IEC standards.



### EJB... On Load Switches (I)

EJB range of enclosures are suitable for use as an Ex d low voltage switchboard, in accordance with the heat dissipation listed in the relevant certificates.



### EJB... Fuse/On-Load Switches (IF)

EJB range of enclosures are suitable for the accommodation and use of Fuses Switches, in accordance with the heat dissipation listed in the relevant certificates.



### EJB...Lighting/Power Distribution Panels (QADL)

EJB range of enclosures are suitable for use as an Ex d low voltage switchboard for lighting & power distribution, in accordance with the heat dissipation listed in the relevant certificates.



### EJB... Motor Control Starter (TTB)

EJB range of enclosures is suitable for use to accommodate a DOL Motor Starter. EJB starter panels are designed to your specification – please contact your Technor representative for more information.



### EJB... Reverse Motor Control Starter (ITB)

EJB range of enclosures is suitable to accommodate a reversing motor control starter. EJB starter panels are designed to your specification – please contact your Technor representative for more information.



### EJB... Star Delta Motor Control Starter (ITB)

EJB range of enclosures is suitable for use to accommodate a Star-Delta motor control starter. EJB starter panels are designed to your specification – please contact your Technor representative for more information.

EJB.../WIN is a customer oriented Instrument Housing based on the feature of EJB...Series of Enclosures that is suitable to build Ex d low voltage switchboards, in accordance with the heat dissipation listed in the relevant certificates.

The control, check, signal, automation, interruption and/or protection units EJB. / . - Series are constituted by Enclosures with Ex d IIB or Ex d IIB+H<sub>2</sub> mode of protection and can be completed with accessories such as: push buttons type PLA, PLC-I, PLC-S, PLF; rotary actuators type PSRC; potentiometers; pilot lamps type PLD; rotary actuators type SRC-1/2, SRC-10/11/12; reset device type PLC-R; etc., containing electric and/or electronic equipment and terminals for the link to the outside circuits.

EJB. / . - Series Lids may be equipped with inspection windows made by tempered glass. The disposition and number of the windows may change in base to their dimensions and the windows may have square, rectangular, circular shape as specified in the relative table reference.

Customized Instrument Housing named EJB.../WIN is suitable for indoor or outdoor use and in locations considered corrosive and hazardous due to the presence of gases, vapours and dusts...



### Maximum quantity of entries per sides A/B

Type	EJB 2	EJB 3	EJB 4	EJB 5	EJB 6	EJB 8	EJB 9	EJB 10	EJB 11	EJB 12	EJB 13	EJB 13a
M20 / ½"	9/7	14/7	14/9	27/13	24/18	35/16	27/24	57/21	32/27	61/28	48/32	81/54
M25 / ¾"	9/5	7/3	7/4	14/7	14/10	29/13	24/18	46/18	21/27	40/18	27/18	54/36
M32 / 1"	4/3	6/3	6/4	12/5	12/9	16/17	12/10	29/10	14/12	32/16	23/16	35/24
M50 / 1 ½"	3/2	4/2	4/3	5/2	5/4	7/3	9/9	14/5	6/5	16/7	9/6	18/10
M63 / 2"	2/1	3/1	3/2	4/2	4/3	6/2	4/4	12/4	5/4	12/5	8/5	14/9
M75 / 2 ½"	-	-	-	3/1	3/2	4/2	3/3	5/2	4/3	6/3	6/4	6/4
M80 / 3"	-	-	-	2/1	2/2	3/1	2/2	4/1	3/2	4/2	5/3	5/3
4"	-	-	-	1/1	1/1	2/1	2/2	3/1	2/2	3/1	3/2	5/3

If only one side of the box with entries, the above mentioned quantities may be increased (for cable glands only) with previous check of Italsmea

### Indicative maximum quantity of terminals per Size in mm<sup>2</sup>

(For specific quantity contact our sales service)

Size [mm <sup>2</sup> ]	EJB 2	EJB 3	EJB 4	EJB 5	EJB 6	EJB 8	EJB 9	EJB 10	EJB 11	EJB 12	EJB 13	EJB 13a
2.5	48	84	84	96	96	134	96	100	100	180	180	180
4	48	42	84	96	96	134	96	100	100	180	180	180
6	40	36	68	80	80	90	80	80	80	90	90	90
10	32	26	52	60	60	64	60	60	60	108	108	108
16	-	22	44	48	48	58	48	48	46	90	90	90
25	-	10	16	32	18	36	26	36	36	46	70	70
35	-	10	16	16	18	36	26	36	36	18	70	70
50	-	6	12	12	14	14	16	14	25	12	37	37
70	-	-	-	10	10	10	12	12	18	12	20	20
120	-	-	-	-	8	8	8	8	12	12	17	17
185	-	-	-	-	-	-	-	-	-	8	14	14

### Items

TYPE	CODE	A	B	C	D	E	F	G	H	I	L	M	N	ØP	R	Weight [kg]	AA	EE
EJB 2	A.0259.10	298	238	174	230	168	95	135	205	140	250	280	9	M6	20	10.07	12	160 x 220
EJB 3	A.0260.10	412	238	177	340	167	85	136	330	150	250	280	9	M8	20	13.40	18	155 x 330
EJB 3a	A.0260.13	412	238	199	340	167	85	158	330	150	250	280	9	M8	20	13.50	9	155 x 330
EJB 4	A.0261.10	418	302	175	335	220	90	132	300	190	300	320	9	M8	20	17.50	20	210 x 325
EJB 5	A.0262.10	480	300	232	392	209	125	182	350	185	300	320	9	M8	20	20.50	22	200 x 385
EJB 6	A.0263.10	483	408	238	387	310	130	186	355	280	390	420	9	M8	20	33.00	28	300 x 380
EJB 8	A.0265.10	634	365	254	530	262	140	204	495	225	340	370	9	M8	20	36.05	36	250 x 520
EJB 9	A.0266.10	535	468	257	426	363	140	204	410	340	440	470	12	M10	20	40.00	34	350 x 420
EJB 10	A.0267.10	750	366	292	630	250	185	234	580	205	330	360	12	M10	20	48.50	34	240 x 620
EJB 11	A.0268.10	596	505	267	483	394	130	204	445	360	480	510	12	M10	20	53.3	44	380 x 470
EJB 12	A.0269.10	805	455	310	690	335	170	243	640	285	425	450	14	M12	20	73.00	54	325 x 675
EJB 13	A.0270.10	832	607	314	723	500	115	236	630	405	580	620	14	M12	20	106.00	76	470 x 690
EJB 13A	A.0270.13	832	607	400	723	500	205	322	630	405	580	620	14	M12	20	124.00	76	470 x 690

\*ref. drawing on page 118

**NB** The Enclosures are equipped with an inside thermostat that, when environment temperature is ranging from -25°C to -50°C, assure an internal temperature of -25°C min. Alternatively, when inside temperature goes over 40°C the thermostat must cut out the circuit tension.

**AA** = Max quantity of M32x1,5 Push Botton, Pilot Lamp, Selector Swich Operators, that can be installed on the boxes cover.

**EE** = Internal mounting plate dimension in mm.

### EJB.../WIN...Series Instruments Housing

Code P.0263.26	Code P.0263.25	Code P.0263.19	Code P.0263.17
B = Window on cover, applicable glass dim. 40x70 mm.	C = Window on cover, applicable glass dim. 40x200 mm.	D = Window on cover, applicable glass dime. 100x270 mm.	E = Window on cover, applicable glass dim. 175x380 mm.

Compatible Round Window								
Ø mm	70	85	100	120	150	170	190	230
CODE	P.0263.44	P.0263.42	P.0263.41	P.0263.39	P.0263.38	P.0263.37	P.0263.36	P.0263.35

Other window with customized dimensions are available on request when compatible with certificates

### Dimensions

