

## FSX

The FSX range of socket outlets / welding receptacles are housed in AISI316 stainless steel enclosure utilizing the DXN range of deconnector. The socket is mounted on a hinged lid to keep internal space of the junction box available for ease of wiring and installation.

The FSX enclosure is supplied with terminal rail suitable for looping and the cross section of looping terminals allows the use of cable size up to one size larger than socket contacts for flexibility.

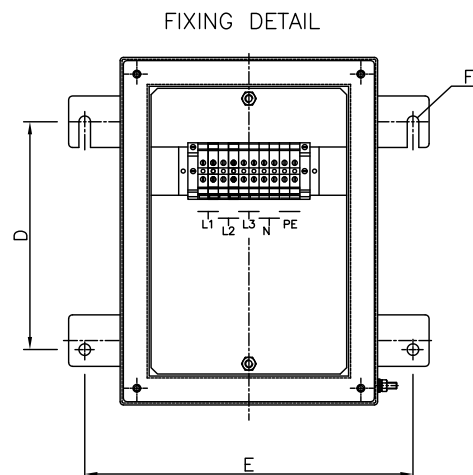
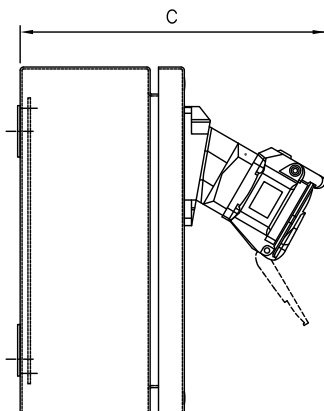
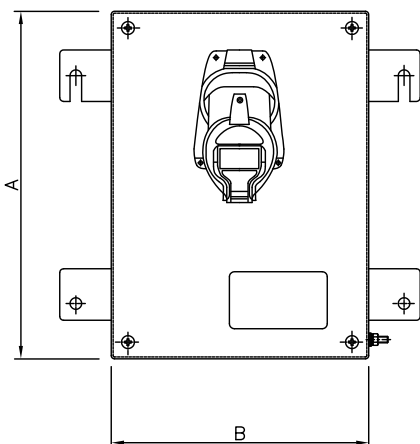
### Specifications

<b>Material</b>	Stainless Steel AISI316L Housing
<b>IP Rating</b>	IP65-66 (see attached table)
<b>Temperature</b>	-40°C to 60°C (see attached table)
<b>Approvals</b>	
- ATEX	INERIS 06ATEX0015
<b>Standards</b>	EN/IEC: 60079-0, 60079-1, 60079-7
	EN: 61241-0, 61241-1
<b>Ex-code</b>	⊕ II 2 GD
	Ex ed IIC T6/T5/T4
	Ex tD A21 IP66 T85°C/T100°C/T135°C
	According to European Directive 94/9/EC (ATEX) For Zone 1 / Zone 21, Zone 2 / Zone 22
<b>Lid / Door gasket</b>	POR 303/F/GR/CIG
<b>Quantity for entries</b>	Nr. 1 double seal Ex e Stainless steel AISI 316L cable gland Nr. 1 Ex e Stainless steel AISI 316L blank plug

**Note** Detailed description of DXN contact system is available in following chapter concerning FPR plugs.  
**Rated voltage identification by colour code as per IEC/EN 60-309-1**  
**Interior keying system with 24 non interchangeable positions to avoid accidental connection of apparatus having a non compatible voltage.**



### Dimensions





ITEM TYPE	ITEM CODE	COLOR CODE	VOLTAGE [V]	CONTACT ARRANGEMENTS	CURRENT [A]	Earth Pin Position	FQ [Hz]	CONNECTION TERMINALS CROSS SECTION FLEXIBLE CORES (RIGID CORES) [mmq]	ENTRIES	OVERALL DIMENSIONS (AxBxC) [mm]	MOUNTING INTERAXES (ExD)-F
FSX-2-20-24-50	A.4300.26		24	2P	20	Central	50	10 / 10	2 x M25	217X200X257	192X1 -9
FSX-3-20-110-50	A.4300.27		110-130	1P+N+E	20	Central	50	10 / 10	2 x M25	217X200X257	192X1 -9
FSX-3-20-230-50	A.4300.28		220-250	1P+N+E	20	Central	50	10 / 10	2 x M25	217X200X257	192X1 -9
FSX-4-20-400-50	A.4300.29		380-440	3P+E	20	Central	50	10 / 10	2 x M25	280X270X257	255X177 -9
FSX-5-20-400-50	A.4300.30		380-440	3P+N+E	20	Central	50	10 / 10	2 x M25	280X270X257	255X177 -9
FSX-2-32-24-50	A.4300.31		24	2P	32	Central	50	16 / 16	2 x M32	280X270X268	255X177 -9
FSX-3-32-110-50	A.4300.32		110-130	1P+N+E	32	Central	50	16 / 16	2 x M32	280X270X268	255X177 -9
FSX-3-32-230-50	A.4300.33		220-250	1P+N+E	32	Central	50	16 / 16	2 x M32	280X270X268	255X177 -9
FSX-4-32-400-50	A.4300.34		380-440	3P+E	32	Central	50	16 / 16	2 x M32	350X350X268	325X257 -9
FSX-5-32-400-50	A.4300.35		380-440	3P+N+E	32	Central	50	16 / 16	2 x M32	350X350X268	325X257 -9
FSX-2-63-24-50	A.4300.36		24	2P	63	Central	50	35 / 35	2 x M50	350X350X295	325X257 -9
FSX-3-63-110-50	A.4300.37		110-130	1P+N+E	63	Central	50	35 / 35	2 x M50	350X350X295	325X257 -9
FSX-3-63-230-50	A.4300.38		220-250	1P+N+E	63	Central	50	35 / 35	2 x M50	350X350X295	325X257 -9
FSX-4-63-400-50	A.4300.39		380-440	3P+E	63	Central	50	35 / 35	2 x M50	430X500X325	405X407 -9
FSX-5-63-400-50	A.4300.40		380-440	3P+N+E	63	Central	50	35 / 35	2 x M50	430X500X325	405X407 -9

I.E. / Example

FSX-3-20-230-50

FSX = Flameproof Socket Stainless Steel

3 = Poles Number

20 = Current (A)

230 = Voltage (V)

50 = Frequency (HZ)

ITEM TYPE	ITEM CODE	COLOR CODE	VOLTAGE (V)	CONTACT ARRANGEMENTS	CURRENT (A)	Earth Pin Position	FREQUENCY (HZ)	CONNECTION TERMINALS CROSS SECTION FLEXIBLE CORES (RIGID CORES) mmq	ENTRIES	OVERALL DIMENSIONS (AxBxC)	MOUNTING INTERAXES (ExD)-F
FSX-2-2a-32-24-50	A.4300.80		24	2P +2aux	32	Central	50	16 / 16 / 4	2 x M25 + 1 x M20	280x270 x268	255x177-9
FSX-3-2a-32-110-50	A.4300.41		110-130	1P+N+E +2aux	32	Central	50	16 / 16 / 4	2 x M25 + 1 x M20	280x270 x268	255x177-9
FSX-3-2a-32-230-50	A.4300.42		220-250	1P+N+E +2aux	32	Central	50	16 / 16 / 4	2 x M25 + 1 x M20	280x270 x268	255x177-9
FSX-4-2a-32-400-50	A.4300.43		380-440	3P+E +2aux	32	Central	50	16 / 16 / 4	2 x M32 + 1 x M20	350x350 x268	325x257-9
FSX-5-2a-32-400-50	A.4300.44		380-440	3P+N+E +2aux	32	Central	50	16 / 16 / 4	2 x M32 + 1 x M20	350x350 x268	325x257-9
FSX-2-2a-63-24-50	A.4300.45		24	2P +2aux	63	Central	50	35 / 35 / 4	2 x M32 + 1 x M20	350x350 x295	325x257-9
FSX-3-2a-63-110-50	A.4300.46		110-130	1P+N+E +2aux	63	Central	50	35 / 35 / 4	2 x M32 + 1 x M20	350x350 x295	325x257-9
FSX-3-2a-63-230-50	A.4300.47		220-250	1P+N+E +2aux	63	Central	50	35 / 35 / 4	2 x M32 + 1 x M20	350x350 x295	325x257-9
FSX-4-2a-63-400-50	A.4300.48		380-440	3P+E +2aux	63	Central	50	35 / 35 / 4	2 x M50 + 1 x M20	350x350 x295	325x257-9
FSX-5-2a-63-400-50	A.4300.49		380-440	3P+N+E +2aux	63	Central	50	35 / 35 / 4	2 x M50 + 1 x M20	350x350 x295	325x257-9

I.E. / Example

FSX-3-2a-32-230-50

FSX = Flameproof Socket Stainless Steel

3 = Poles Number

2a = Number auxiliary contact

20 = Current (A)

230 = Voltage (V)

50 = Frequency (HZ)