

The GUB range of Ex d IIC enclosures are manufactured in aluminium alloy and designed for control, check, signal, automation, interruption and/or protection use. Optionally, GUB enclosure lids may be equipped with an inspection window.

Specifications

Material	Copper free Aluminium (Cu<0.1%)
IP Rating	IP66
Temperature	-50°C to 55°C -30°C to 55°C with glass inspection window
Approvals	
- Atex	INERIS 00ATEX0033X IMQ 09ATEX018U
- GOST	GOST Certificate
Standards	EN/IEC: 60079-0, 60079-1, 60079-11, 61241-0, EN: 61241-1, 61241-11
Ex-code	<p>⊕ II 2 GD Ex d IIC T6 / T5 / T4 Ex tD A21 IP66 T85°C / T100°C / T135°C</p> <p>⊕ II 2(1) GD Ex d [ia] IIC T6 Ex tD [ia] A21 IP66 T85°C</p>
Lid / Door gasket	According to European Directive 94/9/EC (ATEX) For Zone 1 / Zone 2, Zone 21 / Zone 22 O-ring made in Nitrile Rubber (NBR)
Surface treatment	External polyurethane painting (RAL 6003)
Drain plug	The enclosures can be equipped with drain and/or breather devices: ECR-1; ECR-2 type.
Entries thread	Metric pitch 1.5, ANSI B1.20.1 NPT, UNI 6125
Standard identification	Identification nameplate is realized in high resistance self-adhesive polyester with thermal transfer inscriptions
Max. Q.ty for entries	Maximum quantity of entries per side A/B: check table's references
Max. Q.ty for terminals	Maximum quantity of terminals per size in sqmm: check table's references
Accessories on request	External polyurethane painting "Standard Cycle" Green RAL 6003 External polyurethane customized painting
Main Applications	GUB...- Lighting / Power Distribution Panel (QADL) GUB-...EMH...Instruments Housing GUB-QL...
Note	<p>Bearing in mind the infinite of combinations between:</p> <ul style="list-style-type: none"> • quantity of terminals, • relevant cross section, • class of temperature, • ambient temperature <p>... we suggest using our software CALCUBOX to set up the compatible terminals strips and entries. A free copy of CALCUBOX is usually supplied with the CD version of the product Catalogue and is also available as a download from our website.</p>



Items Table

TYPE	CODE	A	B	C	D	F	G	ØH	I	L	M	Weight Kg	P	R	AA	EE
GUB 01	A.0244.10	169	169	152	139	62	105	125	150	150	7	3.620	-	-	-	-
GUB 02	A.0245.10	190	190	164	160	63	113	144	170	170	8	4.720	-	-	-	-
GUB 03	A.0246.10	210	210	179	180	78	127	167	190	190	8	5.950	-	-	-	-
GUB 04	A.0247.10	232	281	206	202	97	152	183	210	260	8	8.900	-	-	-	-
GUB 05	A.0248.10	257	298	222	227	106	163	206	235	275	8	11.860	-	-	-	-
GUB 06	A.0249.10	293	329	248	259	140	203	242	270	305	10	15.750	-	-	-	-

Maximum quantity of entries per sides A/B Conduit Entries (one row)

Type	GUB 01	GUB 02	GUB 03	GUB 04	GUB 05	GUB 06
M20 ½"	3/3	3/3	4/4	4/5	4/5	5/6
M25 ¾"	2/2	2/2	4/4	4/5	4/5	4/5
M32 1"	2/2	2/2	3/3	3/4	3/4	4/4
M50 1 ½"	1/1	1/1	2/2	2/3	2/3	2/3
M63 2"	1/1	1/1	1/1	2/2	2/2	2/3
M75 2 ½"	-	-	1/1	1/2	2/2	2/2
M80 3"	-	-	-	1/1	1/2	1/2
4"	-	-	-	-	1/1	1/1

Maximum quantity of entries per sides A/B Cable Glands Entries (two row)

Type	GUB 01	GUB 02	GUB 03	GUB 04	GUB 05	GUB 06
M20 ½"	3/3	5/5	5/5	5/7	7/9	7/9
M25 ¾"	3/3	5/5	5/5	5/7	7/9	7/9
M32 1"	2/2	3/3	3/3	5/5	5/7	5/7
M50 1 ½"	1/1	2/2	2/2	2/3	2/3	3/5
M63 2"	1/1	1/1	1/1	2/2	2/2	3/2
M75 2 ½"	-	-	1/1	1/2	2/2	2/2
M80 3"	-	-	-	1/1	1/2	1/2
4"	-	-	-	-	1/1	1/1

Indicative maximum quantity of terminals per Size in square mm.

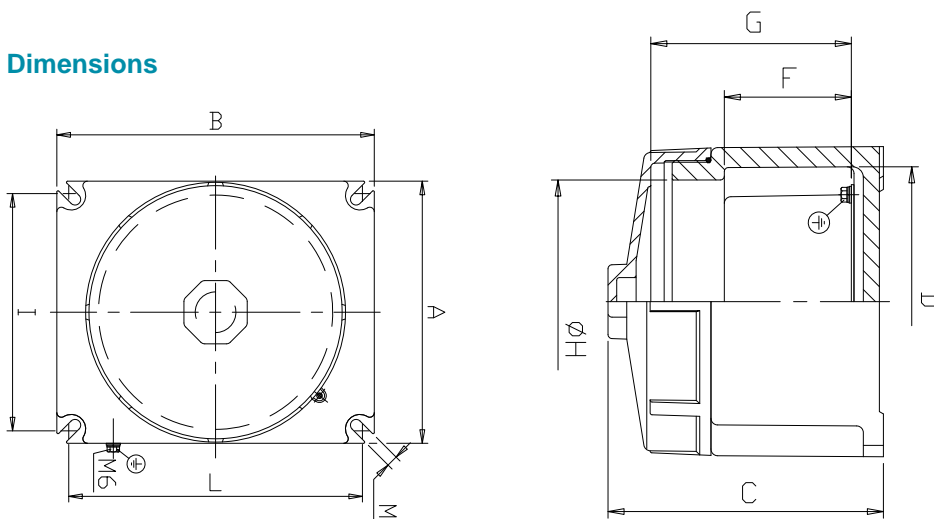
(For specific quantity contact our sales service)

Type mm²	GUB 01	GUB 02	GUB 03	GUB 04	GUB 05	GUB 06
2.5	18	22	25	40	46	58
4	17	21	25	40	46	58
6	14	17	19	22	34	42
10	11	13	15	17	19	34
16	9	10	12	14	16	19
25	5	6	8	9	10	12
35	-	6	8	9	10	12
50	-	5	6	8	8	11
70	-	-	-	-	5	8
120	-	-	-	-	4	6
185	-	-	-	-	-	5

GUB...Lighting/power distribution panels (QADL)

GUB...Series of Enclosures, in combination with MCB circuit breakers series MULTI-9 Merlin Gerin brand of Schneider Electric, are suitable for building "Customized" Lighting/Power Distribution Panels and Heat Tracing panels. These customized Lighting/Power distribution panels are used, indoor or outdoor, in corrosive and hazardous locations due to the presence of gases, vapours and dusts.

Dimensions



GUB-QL

The GUB-QL range of Ex d IIC enclosures are manufactured in Copper free Aluminium (Cu <0.1%) and designed for control, check, signal, automation, interruption and/or protection use. The GUB-QL range of enclosures featured a unique design which allows accessories such as pushbuttons, pilot lamps and selector switches to be mounted in the lid.

Specifications

Material	Copper free Aluminium (Cu <0.1%)
IP Rating	IP66
Temperature	-50°C to 55°C
Approvals	
- Atex	INERIS 00ATEX0033X
- GOST	GOST Certificate
Standards	EN/IEC: 60079-0, 60079-1, 60079-11, 61241-0, EN: 61241-1, 61241-11
Ex-code	<p>⊕ Ex II 2 GD Ex d IIC T6 / T5 / T4 Ex tD A21 IP66 T85°C/T100°C/T135°C</p> <p>⊕ Ex II 2(1) GD Ex d [ia] IIC T6 Ex tD [ia] A21 IP66 T85°C</p> <p>According to European Directive 94/9/EC (ATEX) For Zone 1 / Zone 2, Zone 21 / Zone 22</p>
Lid / Door gasket	O-ring made in Nitrile Rubber (NBR)
Surface treatment	External polyurethane painting (RAL 6003)
Drain plug	The enclosures can be equipped with drain and/or breather devices: ECR-1; ECR-2 type.
Entries thread	Metric pitch 1.5, NPT
Standard identification	Identification nameplate is realized in high resistance self-adhesive polyester with thermal transfer inscriptions
Quantity for entries	Maximum quantity of entries per side A/B: check table's references
Quantity for terminals	Maximum quantity of terminals per size in sqmm: check table's references
Accessories on Request	External polyurethane painting "Standard Cycle" Green RAL 6003 External polyurethane customized painting
Note	Bearing in mind the endless of combinations between: quantity of terminals, relevant cross section, class of temperature, ambient temperature... we suggest using our software CALCUBOX to set up the compatible terminals strips and entries. A free copy of CALCUBOX is usually supplied with the CD Catalogue and is also available as a download from our website.



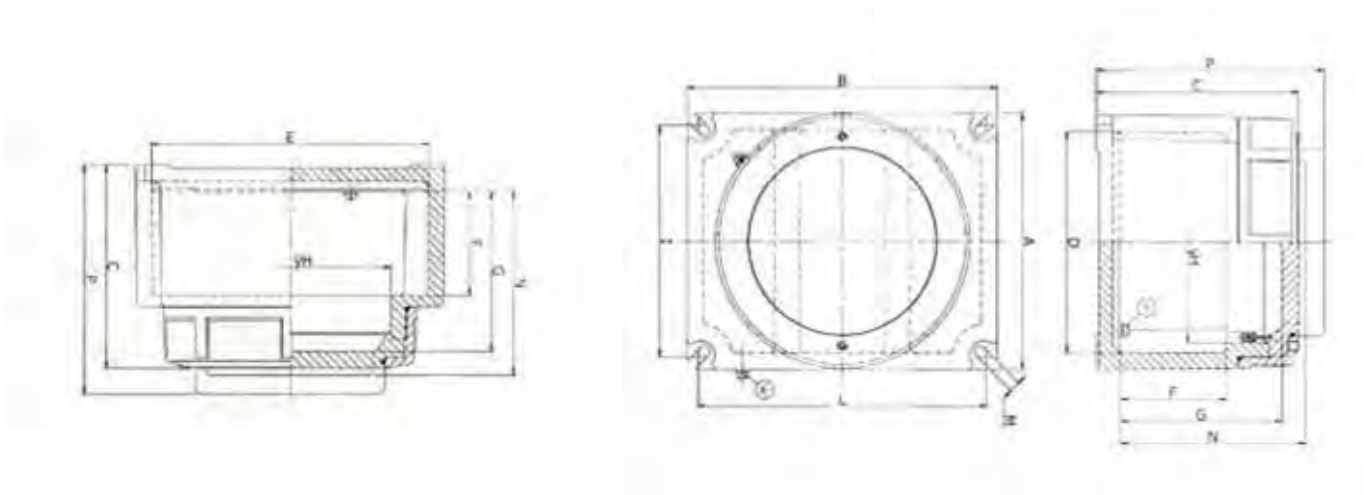


TYPE	Maximum M32 Devices	REFERENCE / QUOTE												
		A	B	C	D	E	F	G	H	I	L	M	N	P
GUB-QL 02	3	190	190	139	160	160	63	104	144	170	170	8	143	179
GUB-QL 03	4	210	210	160	180	180	78	119	167	190	190	8	139	174
GUB-QL 06	10	293	329	235	259	295	140	195	242	305	270	10	/	/

NB. The Enclosures are equipped with an inside thermostat that, when environment temperature is rangin from -25°C to -50°C, assure an internal temperature of -25°C min. Instead, when inside temperature goes over 40°C the thermostat must cut out the circuit tension.



Dimensions



STL International Ltd
 Hill Farm, Linton Hill
 Linton, Maidstone
 Kent. ME17 4AL
 United Kingdom
 tel. +44 (0)1622 749633
 fax. +44 (0)1622 746800
 email. solutions@stl-int.co.uk
 web. www.stl-int.co.uk