

The EVF-P range of Ex d IIC fluorescent luminaires is manufactured with a cylindrical polycarbonate lamp housing and two end-cups in copper-free aluminium. The polycarbonate lamp housing is manufactured from a 3 layer extrusion with UV filter to minimize the risk of polycarbonate yellowing and grant the best possible protection against direct sun heating and minimal wind resistance. These technical features make the EVF-P Series suitable for all environments where fluorescent illumination is required in zone 1 areas.

Specifications

Material	Two end-cups in copper-free aluminium (Cu<0.1%) mounted on a circular shape polycarbonate made
IP Rating	IP66
Temperature	-20°C to 50°C
Approvals	INERIS 02ATEX0039 08/UL-BRCP-002 GOST Certificate
- Atex	
- Brazilian	
- GOST	
Standards	EN/IEC: 60079-0, 60079-1 EN: 61241-0, 61241-1
Ex-code	Ⓔ II 2 GD Ex d IIC T6 Ex tD A21 IP66 T85°C According to European Directive 94/9/EC (ATEX) For Zone 1/Zone 21 and Zone 2/Zone 22
Gaskets	O-ring made in Nitrile Rubber (NBR)
Surface treatment	External polyurethane painting (RAL 6003)
Thread	Num. 2 opposite M20 pitch 1.5 metric threaded entries. One plugged-off by brass nickel plated Ex-d plug with relevant gasket
Hardware and Screw	AISI 304 Stainless Steel external hardware and screws
Lamps	EVF-P Series is suitable for two pins fluorescent lamps G13 socket PHILIPS TL-D or equivalent (lamps excluded)
Lamps Wattage	18 / 36 / 58 W
Ballast	High Frequency Electronic ballast
Rated operation voltage (UE)	220-240 V
Frequency	50 ÷ 60 Hz
Power factor	> 0.95
Accessories	Pole mounting Kit AISI 304 made, type P14 Ceiling mounting Kit AISI 304 made, type G3 3° bottom entry M20
Available upon request	
Emergency Service	EVF-P lighting fixtures for Emergency Service are available, see: EVF-P...LE-P

Note The screw-cover of EVF-P, when opened, will stand linked to the body of the lighting fixtures by mean of a stainless steel chain
Steel made white coated internal reflector is also the support for electrical equipment. It is fully withdrawable in order to allow an easy re-lamping and maintenance



STL International Ltd
Hill Farm, Linton Hill
Linton, Maidstone
Kent. ME17 4AL
United Kingdom
tel. +44 (0)1622 749633
fax. +44 (0)1622 746800
email. solutions@stl-int.co.uk
web. www.stl-int.co.uk

EVF-P... Lighting Fixtures for Normal Service

CODE	TYPE	LAMPS Num.	POWER [W]	Overall dimensions [mm]			WEIGHT [kg]
				A	B	C	
A.0423.00	EVF-P 118	1	1x18W	764	176	194	6
A.0424.00	EVF-P 136	1	1x36W	1374	176	194	8
A.0425.00	EVF-P 158	1	1x58W	1680	176	194	9
A.0426.00	EVF-P 218	2	2x18W	764	176	194	6
A.0427.00	EVF-P 236	2	2x36W	1374	176	194	8
A.0428.00	EVF-P 258	2	2x58W	1680	176	194	10

EVF-P...LE Lighting Fixtures for Emergency Service

CODE	TYPE	LAMPS Num.	POWER [W]	Overall dimensions [mm]			WEIGHT [kg]
				A	B	C	
A.0423.10	EVF-P 118 LE P	1	1 x 18W	764	176	194	8
A.0426.10	EVF-P 218 LE P	2	2 x 18W	764	176	194	8
A.0424.10	EVF-P 136 LE P	1	1 x 36W	1374	176	194	10
A.0427.10	EVF-P 236 LE P	2	2 x 36W	1374	176	194	10
A.0425.10	EVF-P 158 LE P	1	1 x 58W	1680	176	194	11
A.0428.10	EVF-P 258 LE P	2	2 x 58W	1680	176	194	11
A.0423.11	EVF-P 118 LE NP	1	1 x 18W	764	176	194	7.7
A.0424.11	EVF-P 136 LE NP	1	1 x 36W	1374	176	194	9.7
A.0425.11	EVF-P 158 LE NP	1	1 x 58W	1680	176	194	10.7

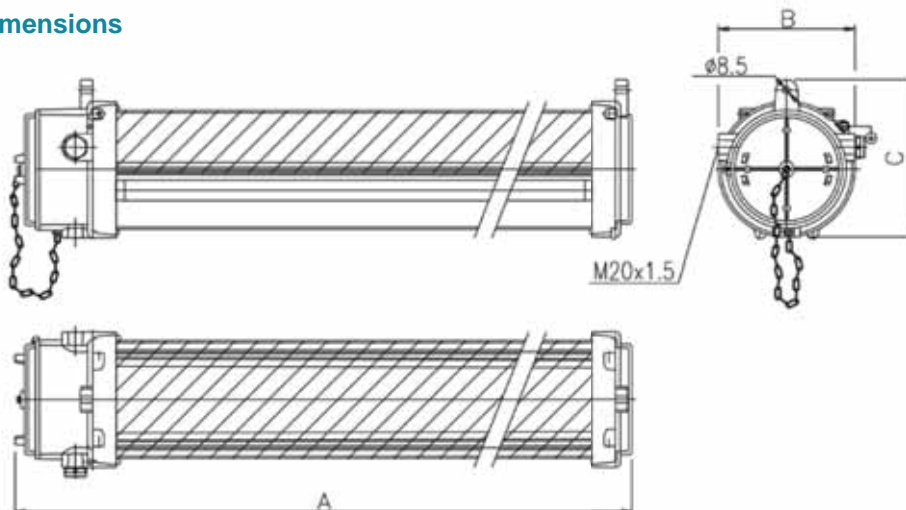
(P) Permanent Emergency Lighting Apparatus
 (NP) NON Permanent Emergency Lighting Apparatus

Typical mounting kit for EVF-P Series Lighting Fixtures

Specifications	
KIT "G3"	CEILING MOUNTING KIT "G3" Type for lighting fixtures: EVF-P Series STAINLESS STEEL AISI 304
KIT "P14"	POLE MOUNTING KIT "P14" Type for lighting fixtures: EVF-P Series STAINLESS STEEL AISI 304 for 1"1/2" Ø pole

Type	Useful for Lighting Fixtures	Code	Material	Weight kg
KIT P14	EVF-P	A.0423.61	Stainless Steel AISI 304	0,44
KIT G3	EVF-P	A.0423.60	Stainless Steel AISI 304	0,167

Dimensions



EVF-P Endurance

The EVF-P endurance range of Ex d fluorescent luminaires is based upon the design benefits of the EVF-P range. The Endurance Range has been specially engineered to house the latest long-life Master TL-D Xtreme Phillips fluorescent lamps, paired with HF-Performer II Xtreme high frequency ballast. As a result, with the EVF-P Endurance you can expect over 40,000 hours of maintenance free operation.

Specifications

Material	Two end-cups in Copper free Aluminium mounted on a circular shape polycarbonate made
IP Rating	IP66
Operating Temperature	-20°C to 50°C
Approvals	INERIS 02ATEX0039
- Atex	GOST Certificate
- GOST	EN/IEC: 60079-0, 60079-1
Standards	EN: 61241-0, 61241-1
Ex-code	<p>⊕ II 2 GD</p> <p>Ex d IIC T6</p> <p>Ex tD A21 IP66 T85° C</p> <p>According to European Directive 94/9/EC (ATEX)</p> <p>For Zone 1 / Zone 21, Zone 2 / Zone 22</p> <p>O-ring made in Nitrile Rubber (NBR)</p>
Gaskets	
Surface treatment	External polyurethane painting (RAL 6003)
Thread	Num. 2 opposite M20 pitch 1.5 metric threaded entries. One plugged-off by brass nickel plated Ex d plug with relevant gasket
Hardware and Screw	AISI 304 Stainless Steel external hardware and screws
Lamps	EVF-P ENDurance Series is suitable for two pins fluorescent socket: MASTER TL-D Xtreme PHILIPS Low- Pressure mercury discharge lamp with tubular 26 mm. envelope Extreme long reliable lifetime and higher efficacy are achieved with HF-PERFORMER II Xtreme electronic gear (lamps excluded).
Lamps Wattage	18 / 36 / 58 W
Ballast	HF- PERFORMER II Xtreme High Frequency Ballast Philips (36W and 58W) Smart power: constant light independent of mains voltage fluctuations Protected against excessive voltage peaks (up to 4Kv) and suitable for Class I and Class II luminaires Protected against mains voltages and incorrect connections up to 400V AC
Rated operation voltage (UE)	220-240 V
Frequency	50 ÷ 60 Hz
Power factor	> 0.95
Accessories	Pole mounting Kit AISI 304 made, type P14
Available upon request	Ceiling mounting Kit AISI 304 made, type G3 3° bottom entry M20
Emergency Service	EVF-P ENDurance lighting fixtures for Emergency Service is available: EVF-P...LE-LP/LED-END

Note The screw-cover of EVF-P END, when opened, will stand linked to the body of the lighting fixtures by mean of a stainless steel chain
Steel made white coated internal reflector is also the support for electrical equipment. It is fully withdrawable in order to allow an easy re-lamping and maintenance





EVF-P...LE END (Endurance) Series

Lighting Fixtures for Emergency Service

CODE	TYPE	LAMPS Num.	POWER [W]	Overall dimensions [mm]			WEIGHT [kg]
				A	B	C	
A.0423.12	EVF-P 118 LE-LP / LED-END	1 + LEDS	1 x 18 + x1	764	176	194	8
A.0426.11	EVF-P 218 LE-LP / LED-END	2 + LEDS	2 x 18 + x1	764	176	194	8
A.0423.13	EVF-P 136 LE-LP / LED-END	1 + LEDS	1 x 36 + x1	1374	176	194	10
A.0427.11	EVF-P 236 LE-LP / LED-END	2 + LEDS	2 x 36 + x1	1374	176	194	10
A.0423.14	EVF-P 158 LE-LP / LED-END	1 + LEDS	1 x 58 + x1	1680	176	194	11
A.0428.11	EVF-P 258 LE-LP / LED-END	2 + LEDS	2 x 58 + x1	1680	176	194	11

(LP) Permanent Emergency Lighting Apparatus by LED source

EVF-P...END (Endurance) Series

Lighting Fixtures for Normal Service

CODE	TYPE	LAMPS Num.	POWER [W]	Overall dimensions [mm]			WEIGHT [kg]
				A	B	C	
A.0423.01	EVF-P 118-LE P	1	1x18W	764	176	194	6
A.0424.01	EVF-P 136-LE P	2	1x36W	1374	176	194	8
A.0425.01	EVF-P 158-LE P	1	1x58W	1680	176	194	9
A.0426.01	EVF-P 218-LE P	2	2x18W	764	176	194	6
A.0427.01	EVF-P 236-LE P	2	2x36W	1374	176	194	8
A.0428.01	EVF-P 258-LE P	2	2x58W	1680	176	194	10

EVF-P

Typical Mounting Kit

Specifications	
KIT "G3"	CEILING MOUNTING KIT "G3" Type for lighting fixtures: EVF-P Series STAINLESS STEEL AISI 304
KIT "P14"	POLE MOUNTING KIT "P14" Type for lighting fixtures: EVF-P Series STAINLESS STEEL AISI 304 for 1 1/2" Ø pole

TYPE	Useful for Lighting Fixtures	CODE	MATERIAL	WEIGHT Kg
KIT P14	EVF-P	A.0423.61	Stainless Steel AISI 304	0.44
KIT G3	EVF-P	A.0423.60	Stainless Steel AISI 304	0.167

Dimensions

