

The EVcc-PR luminaire is manufactured in copper-free aluminium and designed for tank inspection. Delivered painted to RAL 6003 and complete with halogen or LED light source and 2 off M25 cable entries. Flange mount version is available on request.

Specifications

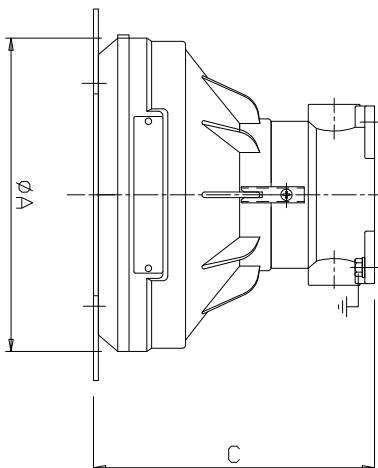
Material	Copper-free aluminium (Cu<0.1%)
IP Rating	IP65-66
Temperature	-50°C to 40°C
Approvals	
- Atex	INERIS 01ATEX0019X
- GOST	GOST Certificate
Standards	EN/IEC: 60079-0, 60079-1 EN: 61241-0, 61241-1
Ex-code	⊕ II 2 GD Ex d IIC T3 Ex tD A21 IP65 T200°C According to European Directive 94/9/EC (ATEX) For Zone 1 / Zone 2, Zone 21 / Zone 22
Gaskets	O-ring made in Nitrile Rubber (NBR)
Surface treatment	External polyurethane painting (RAL 6003)
Entries	Nr. 2 entries diam. M25
Hardware and Screw	Stainless steel external hardware
Lamps	Halogen lamp included or LED, replacing the incandescent lamp
Lamps Wattage	70W, LEDs 9W (ref. table below)
Rated operation voltage (UE)	230 V
Accessories	Fixing flange available upon request



Lighting fixtures for tank inspections

Type	Code	Lamp (W)	Lamp Type	Voltage	Dimension ØAxC	Weight kg
EVCC-PR2/HA 70	A.0414.52	70 (old 100W inc)	Halogen (Energy saver)	230V	163 x 152	3.10
EVCC-PR3/HA 70	A.0414.53	70 (old 100W inc)	Halogen (Energy saver)	230V	195 x 168	4.40
EVde-PR9/LED	A.0416.55	9W	LEDs	90-264V	195 x 168	5.00

Dimensions



STL International Ltd
Hill Farm, Linton Hill
Linton, Maidstone
Kent. ME17 4AL
United Kingdom
tel. +44 (0)1622 749633
fax. +44 (0)1622 746800
email. solutions@stl-int.co.uk
web. www.stl-int.co.uk