

EVde HID Series

EVde-...H.I.D. Series Lighting Fixtures have been designed to house Built-in control gear for High Intensity Discharge (H.I.D.) Lamps and to manage the light source, driving it where required by way of suitable reflectors and refractors.

Due to the corrosion resistant body, cast copper-free aluminium construction (Cu<0.1%) and tempered glass for lamp compartment, EVde-...H.I.D. Lighting fixtures can provide small dimensions/low weight combined with a wide range of wattage: from 50W up to 400W.

The EVde-...H.I.D. solution, with its built-in control gear on plate and the top side Ex-e Junction box, allows End Users and Contractors to save almost: 1 Junction Box, 2 cable glands and a minimum of 30 minutes of man power cost during the light installation process.

Specifications

Material	Copper-free aluminium (Cu<0,1%)
Temperature	-50°C to 60°C, See specific limitations in the relative tables for lamps typology
IP Rating	IP65
Certification & Approvals	EC-Type Examination Certificate INERIS 01ATEX0019X GOST Certificate POCC IT.ГБ04.В00510
Standards	EN 60079-0 / 60079-1 / 60079-7 / 61241-0 / 61241-1 IEC 60079-0 / 60079-1 / 60079-7 / 61241-0 / 61241-1
Ex-code	⊕ II 2 GD Ex d IIC T5 / T4 / T3 Ex tD A21 IP65 T100°C / T135°C / T200°C Ex de IIC T5 / T4 / T3 Ex tD A21 IP65 T100°C / T135°C / T200°C According to European Directive 94/9/EC (ATEX) For Zone 1 / Zone 2, Zone 21 / Zone 22v
Gaskets	O-ring made in Nitrile Rubber (NBR)
Surface treatment	External polyurethane painting "Standard Cycle" Green RAL 6003
Entries	Nr. 2 M25 entries
Hardware and Screw	Stainless steel external hardware
Lamps	Lighting apparatus EVde series can be equipped with: High Pressure Sodium, Mercury Vapour, Metal Halide lamps (included)
Lamps Wattage	From 50W to 400W
Ballast	Ballast technical features depend on lamp type
Rated operation voltage (UE)	230 V
Frequency	50 Hz
Ignitor and Capacitor	Ignitor and Capacitor technical features depend on ballast type
Power factor	> 0,9
Accessories	GEV-...Protection guard
Available upon request	REV-...Standard reflector made of 99.85 aluminium painted white RAL 9003 REVD-...Dome reflector made of 99.85 polished and anodized aluminium KFE-...High Bay Reflector made of 99.85 polished and anodized aluminium VERTEVA-...Prismatic Refractor made of virgin acrylic
Lampholder	Ceramic lamp holder

Note Adjustable stainless steel mounting bracket (included), suitable for ceiling; pendant; wall; pole installation. 4x4sqmm+E mains terminal in Ex-e compartment (included)





High Pressure Sodium (NA)

TYPE	CODE	LAMP W	LAMP TYPE	WEIGHT kg	TEMP. CLASS
EVde-2/NA-B 50	A.0405.60	50	High Pressure Sodium	6.00	T4*
EVde-2/NA-B 70	A.0405.61	70	High Pressure Sodium	6.00	T4*
EVde-3/NA-B 50	A.0405.68	50	High Pressure Sodium	v7.40	T4
EVde-3/NA-B 70	9.0801.55	70	High Pressure Sodium	7.40	T4
EVde-4/NA-B 100	A.0405.62	100	High Pressure Sodium	7.60	T3
EVde-4/NA-B 150	A.0405.63	150	High Pressure Sodium	8.40	T3
EVde-4/NA-B 250	A.0405.64	250	High Pressure Sodium	15.00	T3 Tamb. -20°C/40°C
EVde-5/NA-B 250	A.0405.66	250	High Pressure Sodium	16.70	T4 Tamb. -20°C/40°C T3 Tamb. -20°C/60°C
EVde-5/NA-B 400	A.0405.67	400	High Pressure Sodium	18.00	T3 Tamb. -20°C/60°C

* Lamp with built-in glow-discharge ignitor



Mercury Vapour (HG)

TYPE	CODE	LAMP W	LAMP TYPE	WEIGHT kg	TEMP. CLASS
EVde-2/HG-B 50	A.0405.51	50	Mercury Vapour	6.00	T4
EVde-2/HG-B 80	A.0405.52	80	Mercury Vapour	6.00	T4
EVde-3/HG-B 100*	A.0405.53	100	Mercury Vapour	7.00	T3
EVde-3/HG-B 125	A.0405.54	125	Mercury Vapour	7.40	T3
EVde-4/HG-B 175*	A.0405.55	175	Mercury Vapour	8.30	T3
EVde-4/HG-B 250	A.0405.56	250	Mercury Vapour	14.80	T3 Tamb. -20°C / 40°C
EVde-5/HG-B 250	A.0405.58	250	Mercury Vapour	15.70	T4 Tamb. -20°C / 40°C T3 Tamb. -20°C / 60°C
EVde-5/HG-B 400	A.0405.59	400	Mercury Vapour	16.50	T3 Tamb. -20°C / 60°C

* On request

Metal Halide (IM)

TYPE	CODE	LAMP W	LAMP TYPE	WEIGHT kg	TEMP. CLASS
A.0405.71	EVde-4/IM-B 250	250	Metal Halide	15.00	T3 Tamb. -20°C / 40°C
A.0405.73	EVde-5/IM-B 250	250	Metal Halide	16.70	T4 Tamb. -20°C / 40°C T3 Tamb. -20°C / 60°C
A.0405.74	EVde-5/IM-B 400	400	Metal halide	16.70	T3 Tamb. -20°C / 60°C

EVde...H.I.D. Accessories

REV... Standard reflector made of 99.85 Painted Ral 9003 White

TYPE	CODE	For Lighting Fixtures TYPE	DIMENSION ØA X B	WEIGHT KG
REV-1	A.0504.01	EVde-1 ...	320 x 89	0.270
REV-2	A.0504.02	EVde-2 ...	320 x 89	0.270
REV-3	A.0504.03	EVde-3 ...	320 x 89	0.270
REV-4	A.0504.04	EVde-4 ...	400 x 89	0.370



GEV... Protection guard

TYPE	CODE	For Lighting Fixtures TYPE	DIMENSION ØA X B	WEIGHT KG
GEV-1*	A.0505.01	EVde-1 ...	138 x 104	0,160
GEV-2*	A.0505.02	EVde-2 ...	153 x 140	0.230
GEV-3*	A.0505.03	EVde-3 ...	174 x 147	0.240
GEV-4*	A.0505.04	EVde-4 ...	188 x 200	0.320

* Stainless steel AISI 304 made



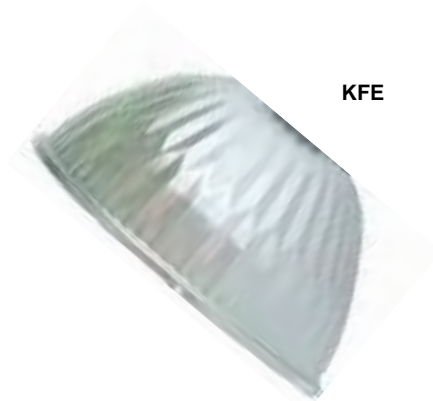
REVD-... Dome reflector made of 99.85 Polished and anodized aluminium

TYPE	CODE	For Lighting Fixtures TYPE	DIMENSION ØA X B	WEIGHT KG
REVD-4	A.0504.10	EVde-4 ...	440 x 310	0.800
REVD-5	A.0530.79	EVde-5 ...	500 x 250	0.800

KFE-... High bay reflector made of 99.85 Polished and anodized aluminium

TYPE	CODE	For Lighting Fixtures TYPE	DIMENSION ØA X B	WEIGHT KG
KFE*	A.0504.20	EVde-4 ... / EVde-5 ...	570 x 300	1.150

Available on request



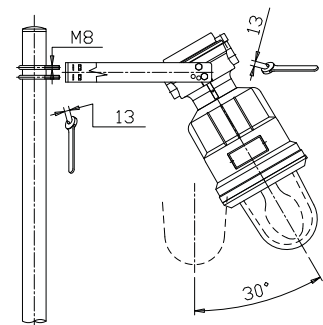
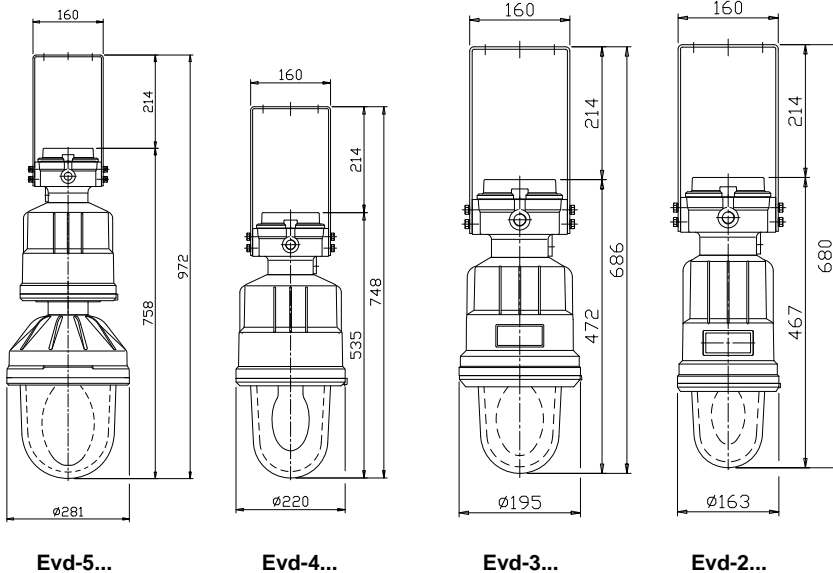
VERTEVA-... Prismatic refractor made of virgin acrylic

TYPE	CODE	For Lighting Fixtures TYPE	DIMENSION ØA X B	WEIGHT KG
VERTEVA*	A.0504.50	EVde-4 ... / EVde-5...	415 x 250	4.000

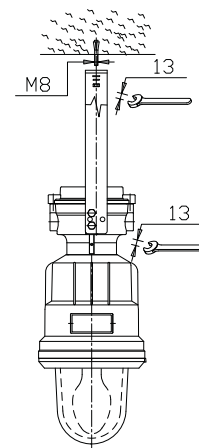
* only for 250W

* available on request

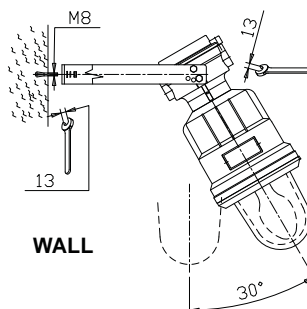
Dimensions



POLE/STANCHION



CEILING



WALL



STL International Ltd
 Hill Farm, Linton Hill
 Linton, Maidstone
 Kent. ME17 4AL
 United Kingdom
 tel. +44 (0)1622 749633
 fax. +44 (0)1622 746800
 email. solutions@stl-int.co.uk
 web. www.stl-int.co.uk