

# LED Helideck, CAP437



**ATEX Category 2**

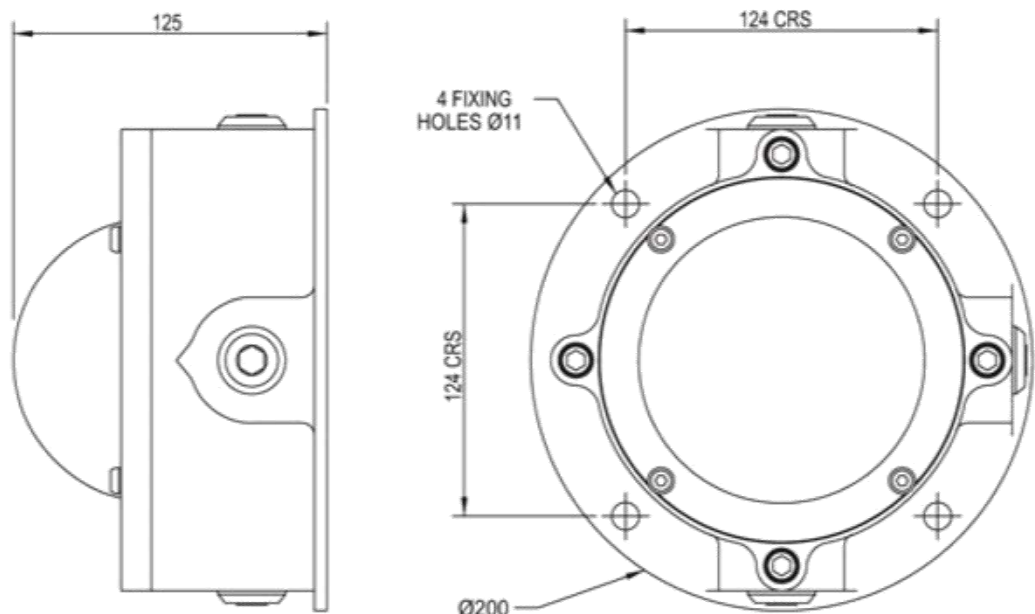
**Ex II 2 G Ex e mb IIC T5 IP66**

**Certified for use in zone 1**

Article number	Wattage	Voltage	Lens	Version	Entries
IHP-LED-G-230	12W	110-254Vac	Polycarbonate	Surface mounted	3 x M25

## Features:

- ✚ Maintenance free high intensity power LED's with a life expectancy of 100,000 hours
- ✚ Helideck light compliant with CAP437, Chapter 4, para.3; ICAO annex 14, Volume II para.5.3.8; IMO standard, MODU code 2001 para.13.4.1
- ✚ Colour chromaticity: GREEN according to ICAO specification
- ✚ Marine grade aluminium housing
- ✚ UV and high impact resistant polycarbonate
- ✚ Shock and vibration resistant
- ✚ Very low power consumption, 12W only
- ✚ Ingress Protection: IP66
- ✚ 110-254Vac, 50/60Hz
- ✚ -20°C to +55°C ambient temperature
- ✚ Ex e terminal connection max.4mm
- ✚ Internal M5/external M6 earth connection
- ✚ Entries: 3 x M25
- ✚ Weight: 5.7kg



**SAFE answers to HAZARDOUS questions**