

LED Obstruction Light 32cd

**LONG LIFE (up to 100,000 hours)
5 year warranty**



EVde with U-bracket
(standard)

ATEX Category 2

II 2 GD EEx de IIC T4
T135°C IP65

Certified for use in zone 1 and 21



EVcc mounting foot

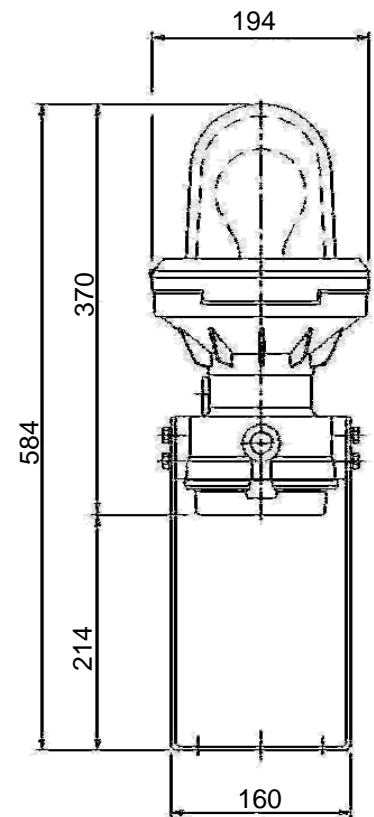
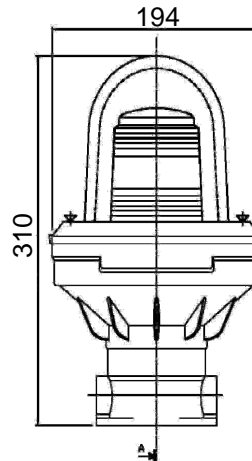


EVde with special
mounting plate

Article number	Wattage	Voltage	Lens	Version	Weight (Kg)
EVde-3/OL32-01-JB	6.5W	100-240Vac	Borosilicate	JB + U-bracket	6.5
EVde-3/OL32-02-JB	6.8W	277Vac	Borosilicate	JB + U-bracket	6.5
EVde-3/OL32-03-JB	3.3W	12-48Vdc	Borosilicate	JB + U-bracket	6.5

Features:

- ✚ State-of-the-art high-flux LED technology
- ✚ 32cd output in compliance with FAA and ICAO
- ✚ Shock and vibration resistant
- ✚ Flameproof alloy housing
- ✚ Ingress Protection: IP65
- ✚ Supply voltage: 12-48Vdc, 100-240Vac $\pm 10\%$
277Vac -30% +10%
- ✚ -40°C to +55°C ambient temperature
- ✚ Green polyurethane paint finish RAL6003
- ✚ Stainless steel hardware
- ✚ 316SS adjustable mounting bracket
- ✚ Optional:
 - Special mounting plate (e.g. IQL mounting centres)
 - EVcc mounting foot
 - Flashing: 30fpm, 50% ON/OFF cycle
 - Offshore paint
 - Protection guard



SAFE answers to HAZARDOUS questions