

# TB-AMG-HFL serie

## Explosion proof helideck floodlight



### Features:

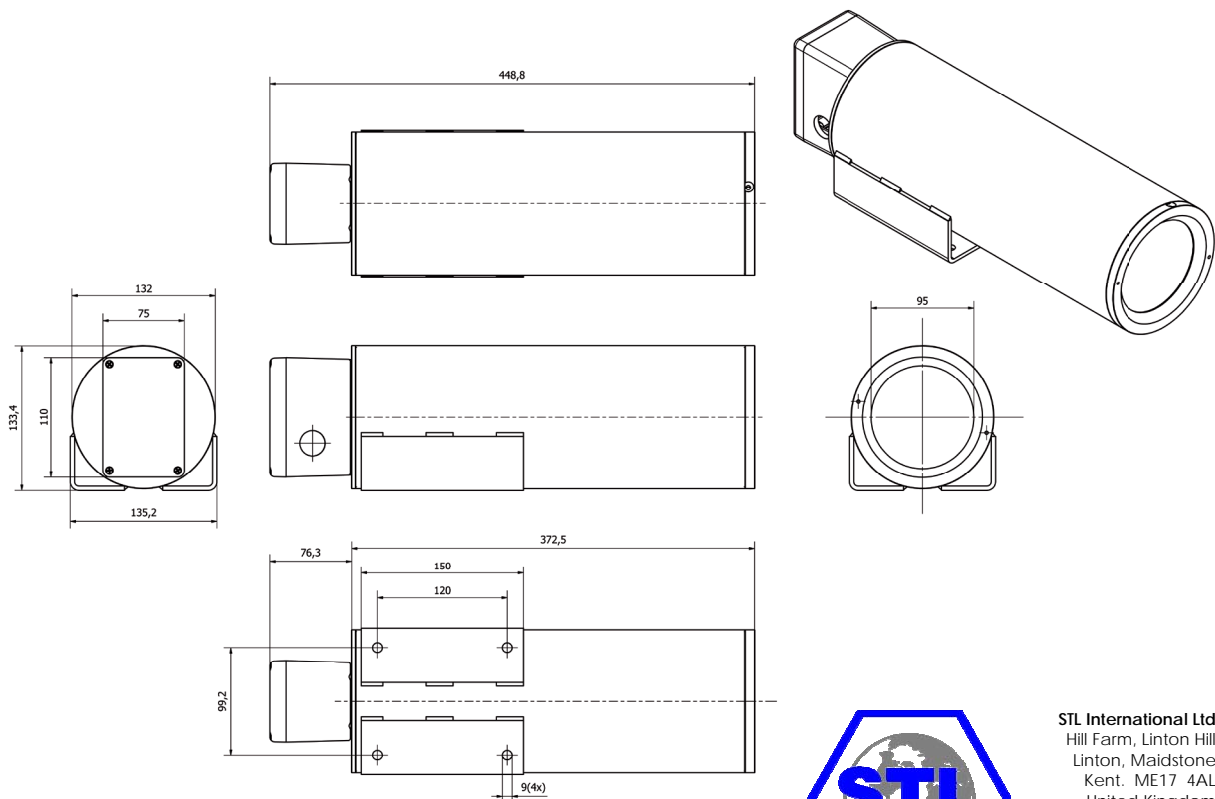
Mode of protection:	EX de IIC T5
Atex classification:	Group II Category 2G
Zones:	1 & 2
Applied standards:	IEC 60079-0, IEC 60079-1, IEC 60079-7, ROHS Directive 2002/95/EC, Reach directive 2006/121/EC, EMC Directive 2004/108/EC, CAP 437
Certificate:	DEKRA 11ATEX0258
EX code:	Gas II 2 G Ex de IIC T5
Inspection:	In accordance with IEC 60079-17
Ingress protection:	IP 66
Electrical parts:	High quality, reliable long life lamp source, reducing maintenance

## Specifications:

Housing:	Stainless steel 316
Lamp type:	Xenon 35 Watt, make Philips, included
IP rating:	P 66
Temperature range:	-20°C to + 45°C
Voltage:	110V 50/60 Hz 230V 50/60 Hz 24V dc
Power consumption:	65 Watt
Electrical connections:	0,5 to 4 sqmm by spring terminals through integrated GRP Ex e junction box, Suitable for through wiring
Lens:	Maxos glass
Entries:	2 entries, M25 plugged off
Mounting:	2 mounting feet (mounting straps optional)
Weight:	Approx. 10 Kg.

## Upon request

Flying lead:	8 meters
Mounting straps:	Stainless steel 316, complete set in bag, see dimensional drawing
Multi voltage:	100 – 268 V ac 50/60 Hz.
Sun shade:	Stainless steel, see dimensional drawing



STL International Ltd  
Hill Farm, Linton Hill  
Linton, Maidstone  
Kent. ME17 4AL  
United Kingdom  
tel. +44 (0)1622 749633  
fax. +44 (0)1622 746800  
email. solutions@stl-int.co.uk  
web. www.stl-int.co.uk