

GLS-N

Zone 2 - IP54



ATEX Category 3

⊕ II 3 GD EEx nA nC IIC T3 T166°C IP54

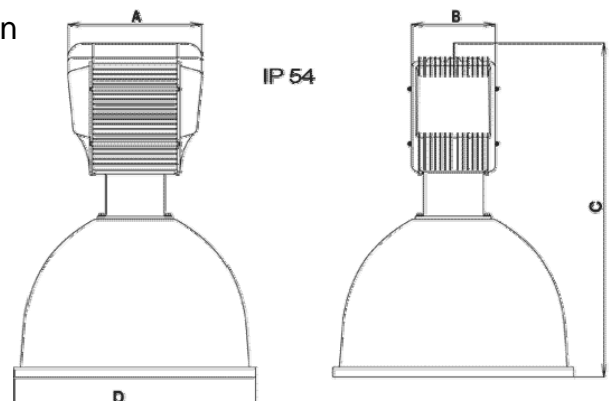
Certified for use in zone 2 and 22

Article number	Lamp*/Wattage	Voltage	Lens	Dimension (mm)	Weight (Kg)
GLS-N-070S	E27, 1x70W	230Vac 50Hz	Glass	475(ØD)x653(C)	5.8
GLS-N-100S	E40, 1x100W	230Vac 50Hz	Glass	475(ØD)x653(C)	6.1
GLS-N-100H	E40, 1x100W	230Vac 50Hz	Glass	475(ØD)x653(C)	6.1
GLS-N-150S	E40, 1x150W	230Vac 50Hz	Glass	475(ØD)x653(C)	6.5
GLS-N-150H	E40, 1x150W	230Vac 50Hz	Glass	475(ØD)x653(C)	6.5
GLS-N-250S	E40, 1x250W	230Vac 50Hz	Glass	475(ØD)x653(C)	7.8
GLS-N-250H	E40, 1x250W	230Vac 50Hz	Glass	475(ØD)x653(C)	7.8
GLS-N-400S	E40, 1x400W	230Vac 50Hz	Glass	475(ØD)x653(C)	9.4
GLS-N-400H	E40, 1x400W	230Vac 50Hz	Glass	475(ØD)x653(C)	9.4

S = High Pressure Sodium, H = Metal Halide

Features:

- ✚ ATEX certification to Category 3, suitable for Zone 2 and 22
- ✚ Aluminium profile and high grade polymer end caps
- ✚ 5m meter flying lead: 3x2.5mm²
- ✚ Toughened glass lens and stainless steel clip
- ✚ Aluminium reflector
- ✚ High Pressure Sodium or Metal Halide lamps for E27 or E40 ceramic lampholders
- ✚ Suspension installation via cable or chain
- ✚ 230Vac 50Hz
- ✚ -20°C to +40°C ambient temperature
- ✚ Ingress protection IP54
- ✚ Optional: Protective cage



SAFE answers to HAZARDOUS questions