


The RMS 550 range of zone 2 fluorescent luminaires is manufactured from AISI304 stainless steel. The body is fabricated from a single sheet of steel with no invasive mounting holes to minimize the risk of water ingress through the housing. The tempered glass window minimizes the risk of light output loss over time due to polycarbonate yellowing. The RMS range is ideally suited for on and offshore and marine environments and all kinds of industry where there is a high level of corrosion.

### Specifications

<b>Material</b>	Stainless Steel AISI 304/AISI316 , 0.8 mm thickness and transparent part in tempered glass
<b>IP Rating</b>	IP66
<b>Temperature</b>	-30°C to 55°C
<b>Approvals</b>	
- Atex	INERIS 01ATEX3002X
- GOST	GOST Certificate
<b>Standards</b>	EN/IEC: 60079-0, 60079-15 EN: 61241-0, 61241-1
<b>Ex-code</b>	 II 3 GD Ex nA II T5 Tamb. -30°C to 50°C Ex nA II T4 Tamb -30°C to 55°C Ex tD A22 T90° Tamb -30°C to 40°C Ex tD A22 IP66/67 T100° Tamb -30°C to 50°C Ex tD A22 IP66/67 T105° Tamb -30°C to 55°C
	According to European Directive 94/9/EC (ATEX) For Zone 2 and Zone 22
<b>Gaskets</b>	Special cross section tightness gasket, silicon rubber made (close cells) located in housing channel between body and window frame.
<b>Entries</b>	Body complete of two diam. 21mm through holes for cable entries, one complete of metallic plug with lock nut and gasket, and the other one with plastic plug for dust protection.
<b>Hardware and Screw</b>	AISI 304 Stainless Steel external hardware and screws
<b>Lamps</b>	RMS Series is suitable for two pins fluorescent lamps G13 socket PHILIPS TL-D or equivalent. (lamps excluded)
<b>Lamps Wattage</b>	18 / 36 W
<b>Ballast</b>	High-frequency electronic ballast conforming with EN 60079-15 and IEC 60079-15
<b>Rated operation voltage (UE)</b>	220-240 V
<b>Frequency</b>	50 ÷ 60 Hz
<b>Power factor</b>	> 0.95
<b>Accessories</b>	Suspension mounting kit "G1" AISI 304 made
<b>Available upon request</b>	Pole mounting kit "P12" 1 ½" size AISI 304 made Wall mounting kit "H1" AISI 304 made
<b>Emergency Service</b>	RMS 550 lighting fixtures for Emergency Service are available: RMS 550...PNL/LE-P
<b>Note</b>	<p>Very low pollution at the end of operative life time of lighting fixtures. The inorganic materials used for RMS, like stainless steel and glass, allow a recycle of 95%, only electrical components and insulation of single core wires need some more care.</p> <p>No through holes between inside and outside of luminaires, out of holes for power supply cable whatever protected by a suitable waterproof cable gland (on request). Therefore, during the time, release would be possible where, for fixing devices, there are through holes and relevant gaskets.</p>





**RMS 550 Lighting Fixtures for Normal Service**

TYPE RMS 550	CODE	LAMPS Num.	POWER [W]	Overall dimensions [mm]			WEIGHT [kg]
				A	B	C	
* 03/PNL	A.2205.00	1	1x18W TL-D	737	239	123	5.10
* 04/PNL	A.2201.00	2	2x18W TL-D	737	239	123	5.20
* 01/PNL	A.2206.00	1	1x36W TL-D	1347	239	123	8.40
* 02/PNL	A.2202.00	2	2x36W TL-D	1347	239	123	8.60

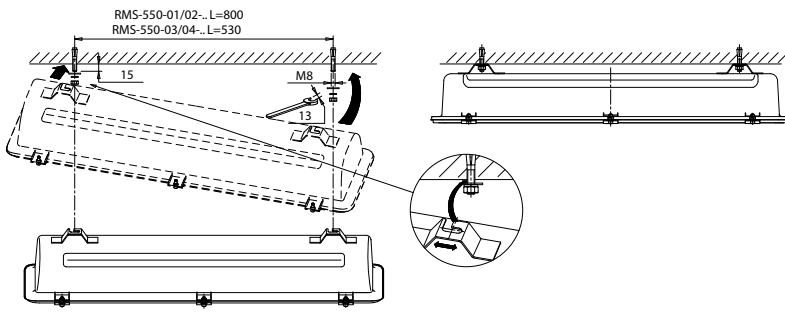
**RMS 550 Lighting Fixtures for Emergency Service**

TYPE RMS 550	CODE		POWER [W]	Overall dimensions [mm]			WEIGHT [kg]
				A	B	C	
* 03/PNL/LE-P	A.2236.00	1	1x18W TL-D	737	239	123	5.10
* 04/PNL/LE-P	A.2283.00	2	2x18W TL-D	737	239	123	5.20
* 01/PNL/LE-P	A.2235.00	1	1x36W TL-D	1347	239	123	8.40
* 02/PNL/LE-P	A.2234.00	2	2x36W TL-D	1347	239	123	8.60

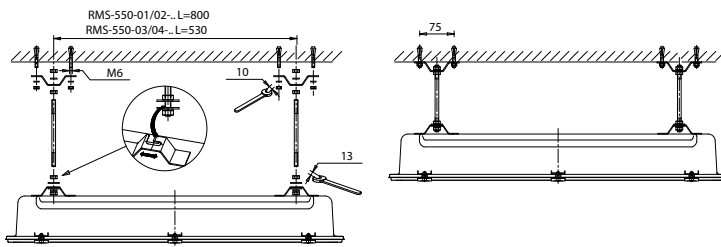
Emergency service on one lamp for 60' with constant lighting output,  
 Emergency service on one lamp for 90' with lighting output decreasing



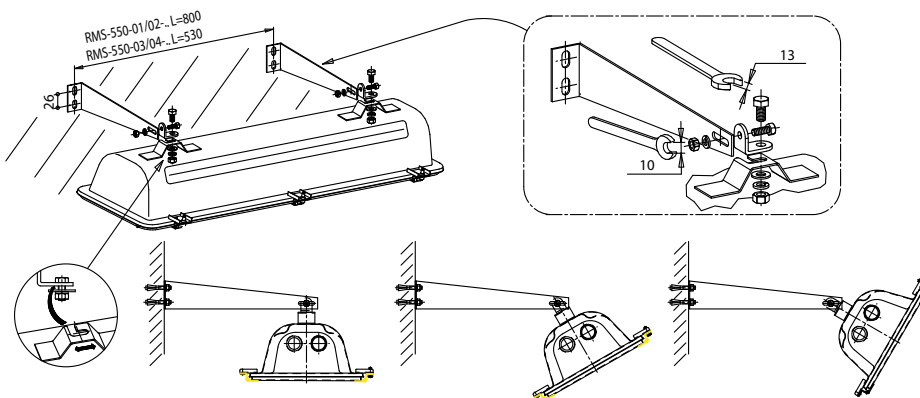
STL International Ltd  
 Hill Farm, Linton Hill  
 Linton, Maidstone  
 Kent. ME17 4AL  
 United Kingdom  
 tel. +44 (0)1622 749633  
 fax. +44 (0)1622 746800  
 email. solutions@stl-int.co.uk  
 web. www.stl-int.co.uk



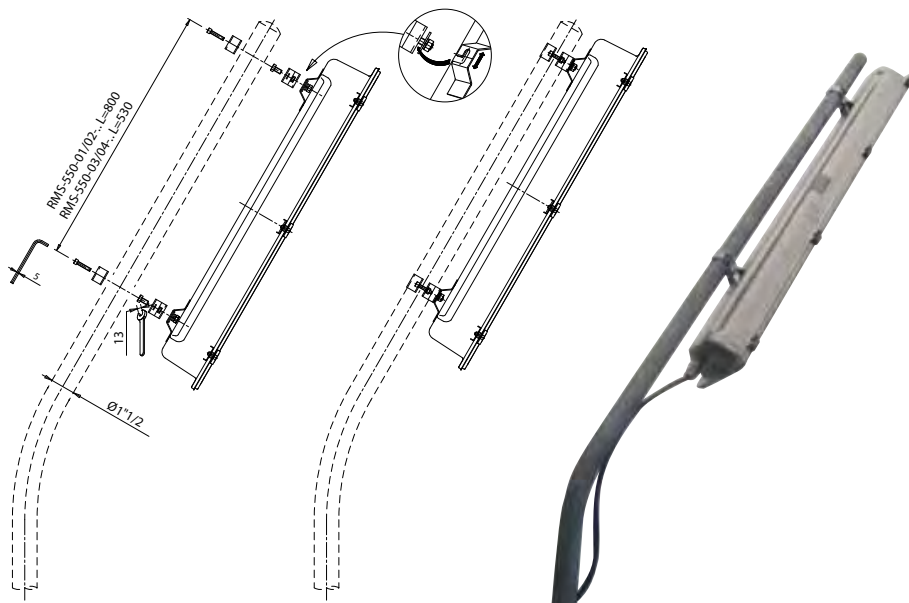
Ceiling mounting included in standard version



Suspension mounting kit "G1" type on request code: A 0530 75\*



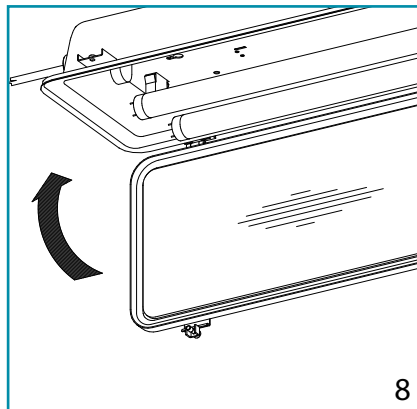
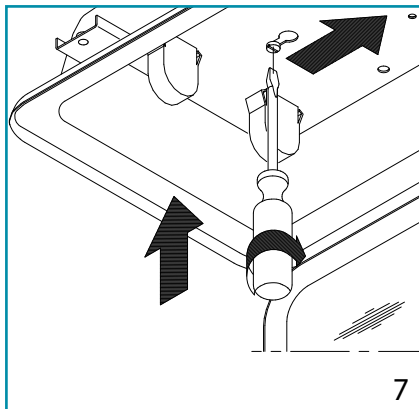
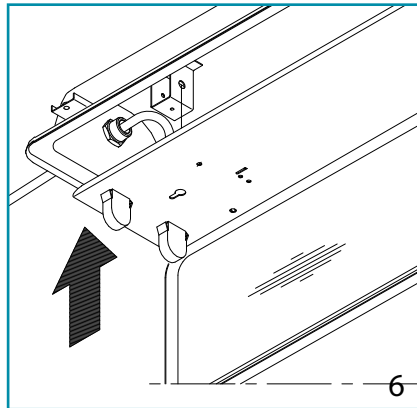
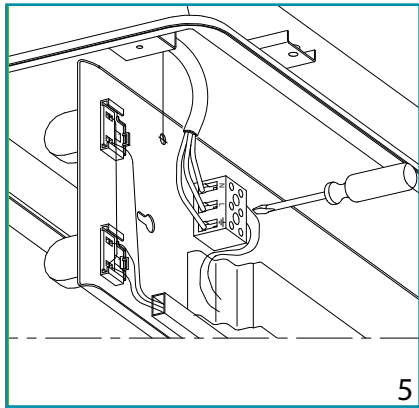
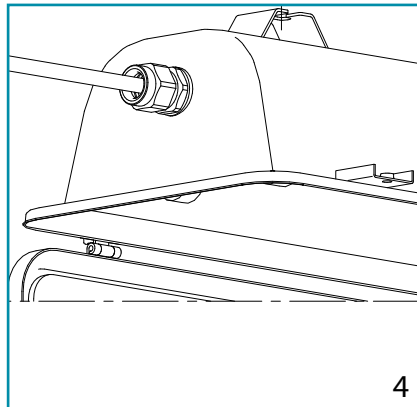
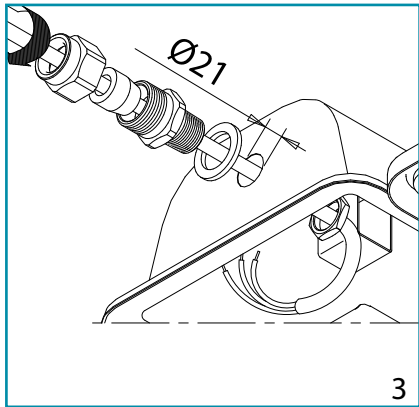
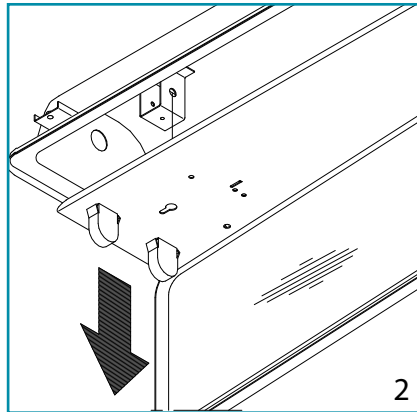
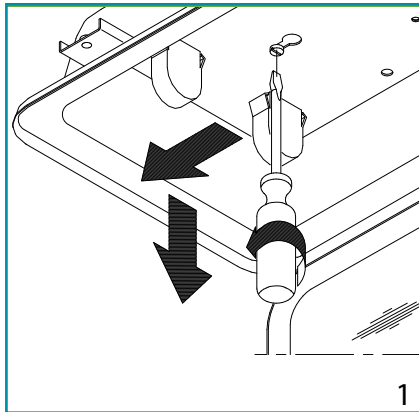
Wall mounting kit "H1" type on request code: A 0530 70\*



Pole stanchion mounting kit "P12" type on request code: A 0530 71\*

\* not compatible with RMS-560-03 e 04 / PNL-LE emergency 18W only

All units are Stainless Steel made



RMS lighting fixtures mounting path



STL International Ltd  
Hill Farm, Linton Hill  
Linton, Maidstone  
Kent. ME17 4AL  
United Kingdom  
tel. +44 (0)1622 749633  
fax. +44 (0)1622 746800  
email. solutions@stl-int.co.uk  
web. www.stl-int.co.uk