

LED Obstruction Light

CAP437 Group B - Steady



ATEX Category 2

**Ex II 2 GD Ex de IIC T4
T135°C IP65**

Certified for use in zone 1 and 21

***In compliance with
CAP437, Chapter 4, para 4.4***

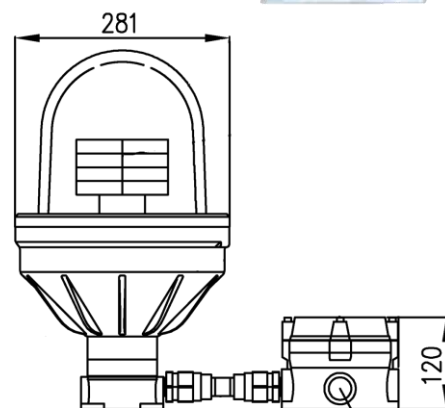
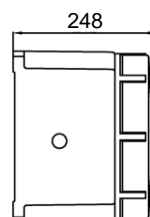
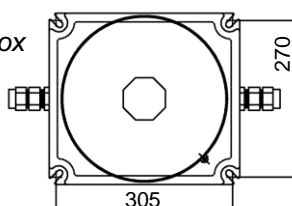
Article number	Wattage	Voltage	Lens	Version	Weight (Kg)
EVcc-5-03-CAP_B	15W	24Vdc	Borosilicate	JB + bracket	6.0 + 16.0
EVcc-5-03-CAP_BT	15W (Twin)	24Vdc	Borosilicate	JB + bracket	8.0 + 16.0
EVcc-5-01-CAP_B	15W	230Vac	Borosilicate	JB + bracket	6.0 + 16.0
EVcc-5-01-CAP_BT	15W (Twin)	230Vac	Borosilicate	JB + bracket	8.0 + 16.0

Features:

- ✚ State-of-the-art high-flux LED technology for NIGHT use: RED
- ✚ Vertical beam radiation in compliance with CAP 168, LIOL Group B and CAP437 Chapter 4 para.4.4:
 - +5° to +8° @200cd
 - +0° to +15° @50cd
- ✚ Twin AOL in same EV..-5 housing
- ✚ Control electronics located in separate GUB housing
- ✚ Shock and vibration resistant
- ✚ Flameproof alloy housing
- ✚ Ex II 2 GD, Ex de IIC T4 IP65
- ✚ Certificate: INERIS01ATEX0019X
- ✚ Supply voltage: 24Vdc or 230Vac
- ✚ -30°C to +55°C ambient temperature
- ✚ Polyurethane paint finish (RAL6003 – Green)
- ✚ Stainless steel hardware
- ✚ Optional:
 - Stainless steel mounting bracket
 - Anti-bird protection guard



Control Box



SAFE answers to HAZARDOUS questions

MIL POWER SUPPLY CABLE
C/W CABLE GLAND 3/4"NPT