

# LED Obstruction Light

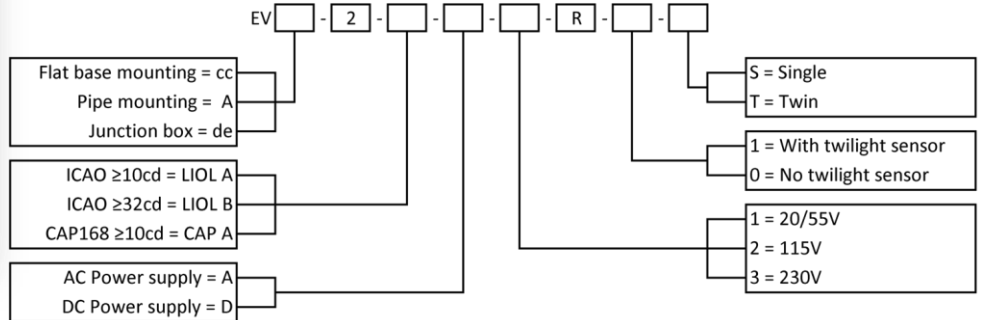
ICAO LIOL A

ICAO LIOL B

CAP168 LIOL A



Order Code

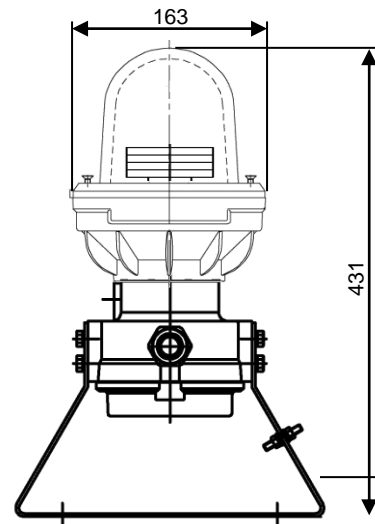
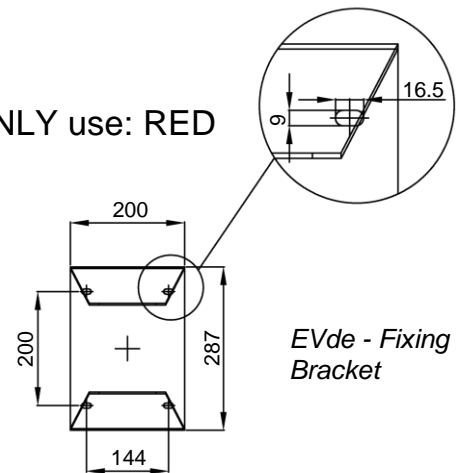


## Features:

- ✚ State-of-the-art high-flux LED technology for NIGHT ONLY use: RED
- ✚ Vertical beam radiation in compliance with  
ICAO LIOL Type A:  $+6^\circ$  to  $+10^\circ$  @  $\geq 10\text{cd}$   
ICAO LIOL Type B:  $+6^\circ$  to  $+10^\circ$  @  $\geq 32\text{cd}$   
CAP168 LIOL Type A:  $+0^\circ$  to  $+30^\circ$  @  $\geq 10\text{cd}$
- ✚ Shock and vibration resistant
- ✚ Flameproof alloy housing
- ✚ Ex II 2 GD, Ex d/de IIC T4 IP65
- ✚ Certificate: INERIS01ATEX0019X
- ✚  $-30^\circ\text{C}$  to  $+55^\circ\text{C}$  ambient temperature
- ✚ Polyurethane paint finish
- ✚ Stainless steel hardware
- ✚ Stainless steel mounting bracket

### Optional:

- Twin AOL in single housing  
(external switchover relay required)
- Anti-bird protection guard



**SAFE** answers to HAZARDOUS questions