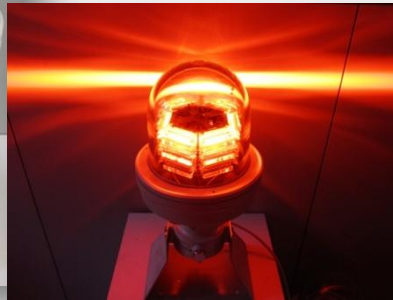


# LED Obstruction Light

## CAP 168 LIOL B (50/200 cd)



***In compliance with  
CAP437, Chapter 4, para 4.4***

**ATEX Category 2**

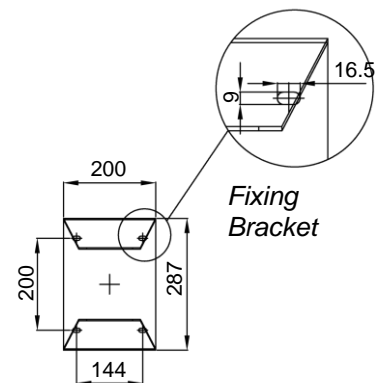
**Ex II 2 GD Ex de IIC T4  
T135°C IP65**

**Certified for use in zone 1 and 21**

Article number	Wattage	Voltage	Lens	Version	Weight (Kg)
EVde-5-03-CAP_B	15W	24Vdc	Borosilicate	JB + bracket	6.0 + 16.0
EVde-5-03-CAP_BT	15W (Twin)	24Vdc	Borosilicate	JB + bracket	8.0 + 16.0
EVde-5-02-CAP_B	15W	115Vac	Borosilicate	JB + bracket	6.0 + 16.0
EVde-5-02-CAP_BT	15W (Twin)	115Vac	Borosilicate	JB + bracket	8.0 + 16.0
EVde-5-01-CAP_B	15W	230Vac	Borosilicate	JB + bracket	6.0 + 16.0
EVde-5-01-CAP_BT	15W (Twin)	230Vac	Borosilicate	JB + bracket	8.0 + 16.0

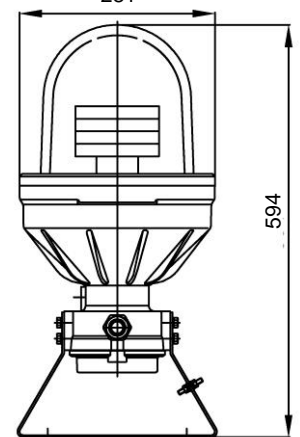
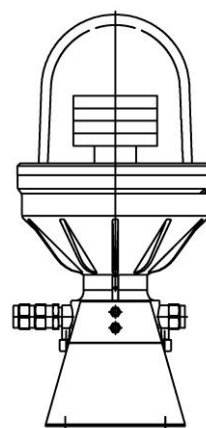
### Features:

- ✚ State-of-the-art high-flux LED technology for NIGHT use: RED
- ✚ Vertical beam radiation in compliance with CAP 168, LIOL Group B and CAP437 Chapter 4 para.4.4:
  - +5° to +8° @200cd
  - +0° to +15° @50cd
- ✚ Twin AOL in same EV..-5 housing
- ✚ Control electronics located in separate GUB housing
- ✚ Shock and vibration resistant
- ✚ Flameproof alloy housing
- ✚ Ex II 2 GD, Ex de IIC T4 IP65
- ✚ Certificate: INERIS01ATEX0019X
- ✚ -30°C to +55°C ambient temperature
- ✚ Polyurethane paint finish
- ✚ Stainless steel hardware
- ✚ Stainless steel mounting bracket
- ✚ Optional:
  - 316SS adjustable mounting bracket
  - Anti-bird protection guard

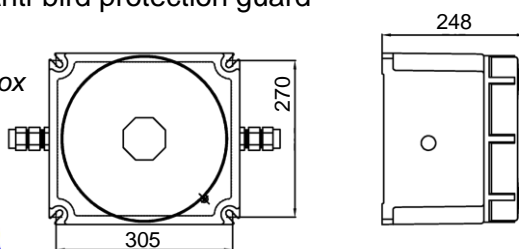


Beacon Front

Beacon Side  
281



Control Box



**SAFE answers to HAZARDOUS questions**