

LED Obstruction Light

ICAO MIOL type C - Steady

LONG LIFE (up to 100,000 hours)



ATEX Category 2

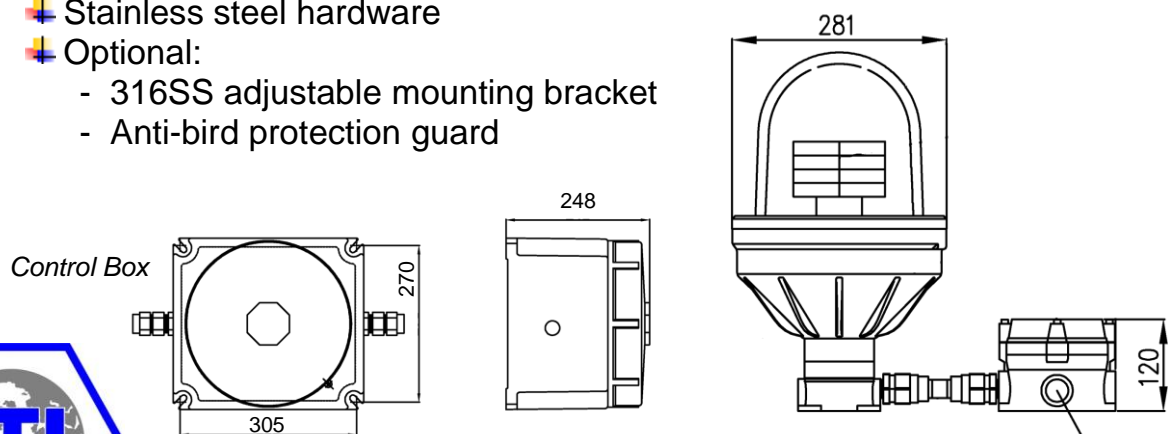
**Ex II 2 GD Ex de IIC T4
T135°C IP65**

Certified for use in zone 1 and 21

Article number	Wattage	Voltage	Lens	Version	Weight (Kg)
EVcc-5-03-ICAO_MC	60W	24Vdc	Borosilicate	JB + bracket	6.0 + 16.0
EVcc-5-01-ICAO_MC	60W	230Vac	Borosilicate	JB + bracket	6.0 + 16.0

Features:

- ✚ State-of-the-art high-flux LED technology for NIGHT use: RED
- ✚ Vertical beam radiation in compliance with ICAO, Annex 14 Volume 1, 4th Edition, Nov 2004:
 - +3° @2000cd ±25%, steady
- ✚ Shock and vibration resistant
- ✚ Flameproof alloy housing
- ✚ Ex II 2 GD, Ex de IIC T4 IP65
- ✚ Certificate: INERIS01ATEX0019X
- ✚ Supply voltage: 24Vdc or 230Vac
- ✚ -30°C to +55°C ambient temperature
 - ✚ Polyurethane paint finish (RAL6003 – Green)
- ✚ Stainless steel hardware
- ✚ Optional:
 - 316SS adjustable mounting bracket
 - Anti-bird protection guard



SAFE answers to HAZARDOUS questions