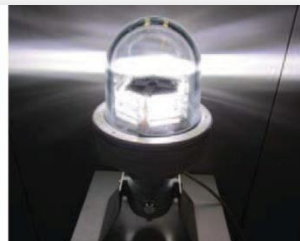


LED Obstruction Light

ICAO MIOL-AB and MIOL-AC

LONG LIFE (up to 100,000 hours)



ATEX Category 2

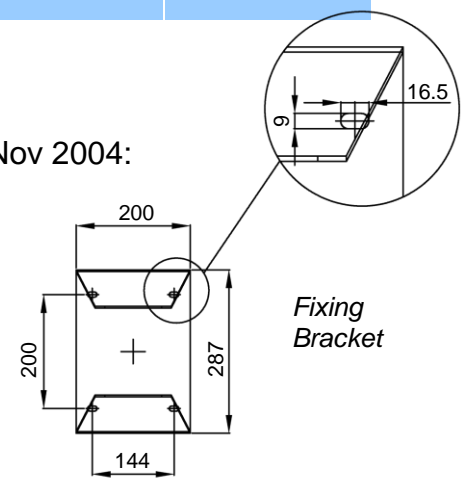
⊕ II 2 GD Ex de IIC T4
T135°C IP65

Certified for use in zone 1 and 21

Article number	Output	Voltage	Lens	Version	Weight (Kg)
EVde-5-01-ICAO_MAB	20-60fpm	230Vdc	Borosilicate	JB + bracket	18.0
EVde-5-01-ICAO_MAC	20-60fpm +Steady	230Vac	Borosilicate	JB + bracket	18.0

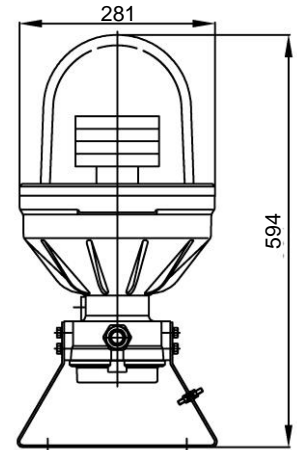
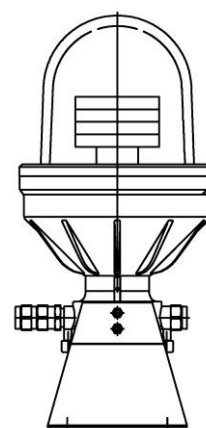
Features:

- ✚ State-of-the-art high-flux LED technology
- ✚ In compliance with ICAO, Annex 14 Volume 1, 4th Edition, Nov 2004:
 - Flashing WHITE light (20-60fpm) in DAY mode
 - Flashing RED light (20-60fpm) NIGHT mode (MIOL-AB)
 - Steady RED light in NIGHT mode (MIOL-AC)
- ✚ Shock and vibration resistant
- ✚ Flameproof alloy housing
- ✚ Ex II 2 GD, Ex de IIC T4 IP65
- ✚ Certificate: INERIS01ATEX0019X
- ✚ Supply voltage: 230Vac
- ✚ -30°C to +55°C ambient temperature
- ✚ Polyurethane paint finish
- ✚ Stainless steel hardware
- ✚ Stainless steel mounting bracket
- ✚ Optional:
 - 316SS adjustable mounting bracket
 - Anti-bird protection guard



Beacon Front

Beacon Side



SAFE answers to HAZARDOUS questions