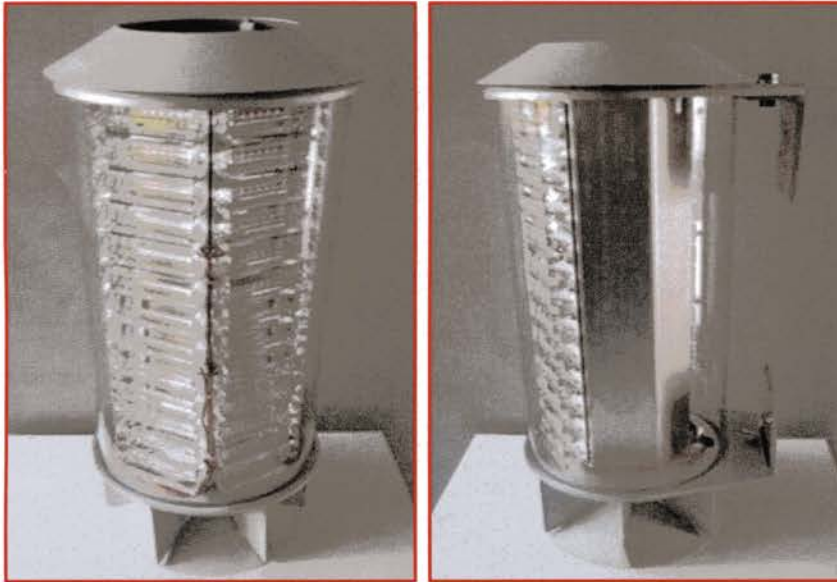


# LED Obstruction Light

## HIOL - 120° and 360°



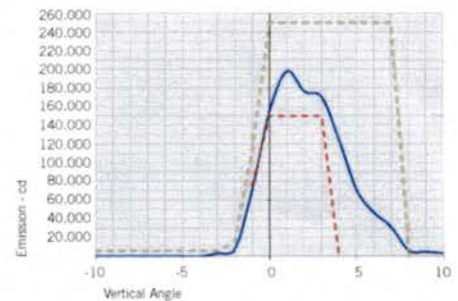
Heat sink - Cooling system



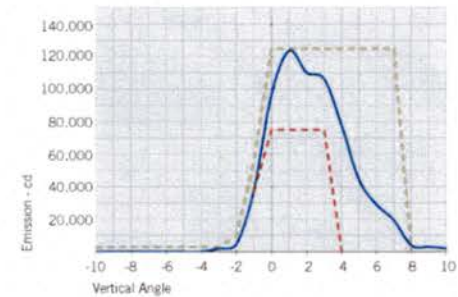
Wind collector

High intensity obstruction light, multi-LED.  
In compliance with ICAO type A, Type B,  
FAA L-856, day and night.

- LED technology
- Flashing white light (20-60 fpm)
- Long life expectancy >10+ years
- Stabilised light output

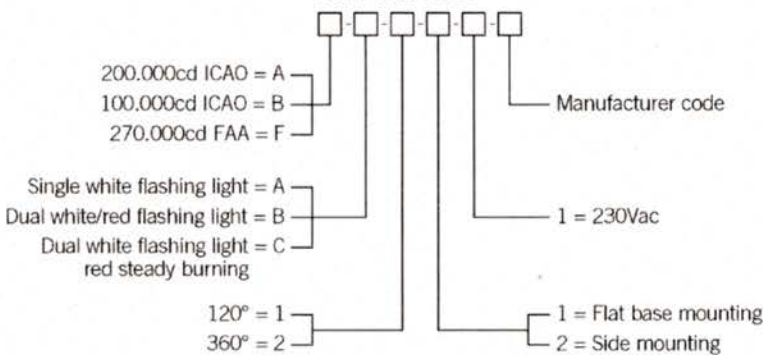


— LB56-LXS-A average emission level at 70°C ambient temperature  
— ICAO ANNEX 14 high intensity type A - Min Required Intensity  
— ICAO ANNEX 14 high intensity type A - Max Required Intensity



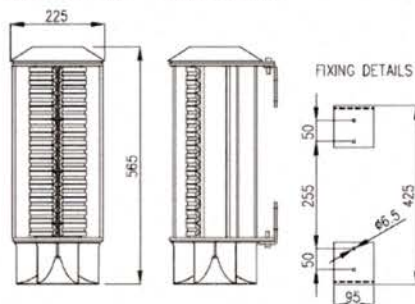
— LB56-LXS-B average emission level at 70°C ambient temperature  
— ICAO ANNEX 14 high intensity type B - Min Required Intensity  
— ICAO ANNEX 14 high intensity type B - Max Required Intensity

### Order Code HIOL



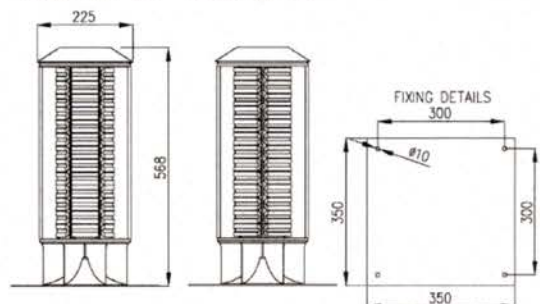
### HIOL 120°

BEACON FRONT VIEW BEACON SIDE VIEW



### HIOL 360°

BEACON FRONT VIEW BEACON SIDE VIEW



**SAFE answers to HAZARDOUS questions**