

Motion Detector



MWS-Ex

IP 66

Application: Microwave motion sensor for hazardous area

Body: Aluminium alloy with powder paint finish

Diffuser: Borosilicate glass

Mounting: Ceiling (up to 6m)/Wall mounted

ATEX certified: Zone 1/21

II 2G Ex d IIC T6 Gb

II 2D Ex tb IIIC T80°C Db IP66 IK08

AmbT: -20°C to +55°C

Voltage: 220-240V AC

Switching load: 400W (Zero crossing detection circuit)

Motion detection sensitivity: 0.3...3m/s with synchronised control

Control: - Sensitivity control up to 12m dia. (Adjustable)
 - Adjustable ON/OFF timer, 5s - 30min
 - Photocell: Freely adjustable threshold

Termination: L, Ls, Nx2, PE; max. 4mm²
 Loop in/Loop out

Entries: 3 x M25

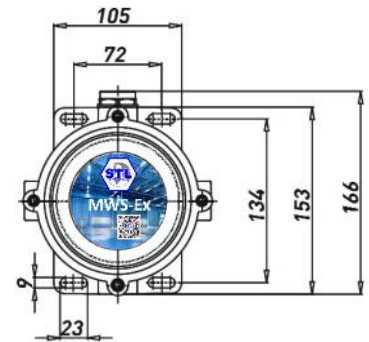
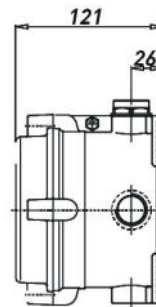
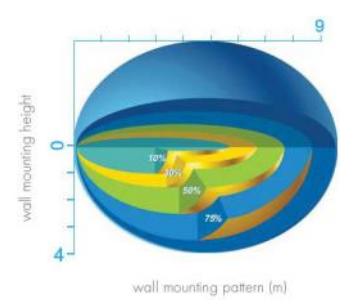
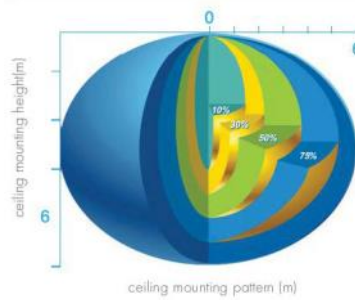
Weight: 2kg

Optional:

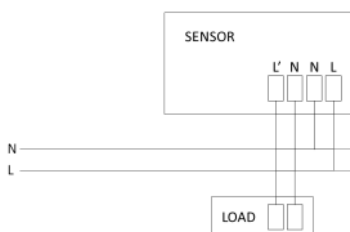
- Adjustable mounting bracket



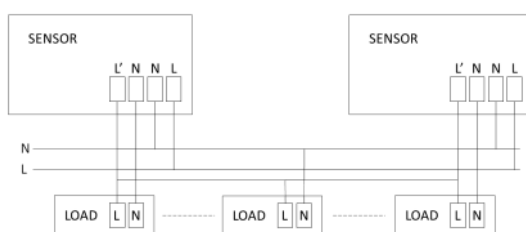
Detection Pattern



ON/OFF Function



Synchronised Control Function



corridorFunction with DALI controlled luminaires

