

# High-bay Motion Detector



## MWS-Ex-12

IP 66

**Application:** High-bay microwave motion sensor for hazardous area installations.

**Body:** Aluminium alloy with powder paint finish

**Diffuser:** Borosilicate glass

**Mounting:** Ceiling (up to 12m)/Wall mounted

**ATEX certified:** Zone 1/21

II 2G Ex d IIC T6 Gb

II 2D Ex tb IIIC T85°C Db IP66 IK08

**AmbT:** -35°C to +55°C

**Voltage:** 220-240V AC

**Switching load:** 400W (Zero crossing detection circuit)

**Motion detection sensitivity:** 0.3...3m/s with synchronised control

**Control:** (DIP switch programmable)

- Sensitivity control up to 18m dia. (Adjustable)
- Adjustable ON/OFF timer: 5s - 30min
- Photocell: 2-50LUX, Disable

**Termination:** L, Ls, Nx2, PE; max. 4mm<sup>2</sup>  
Loop in/Loop out

**Entries:** 3 x M25

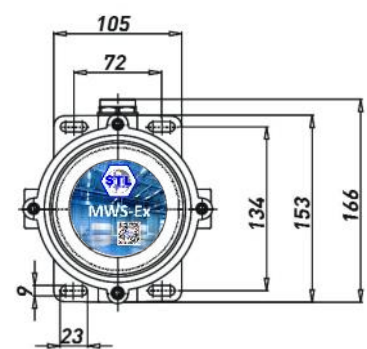
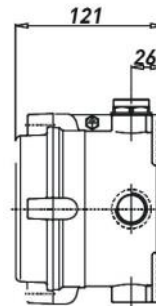
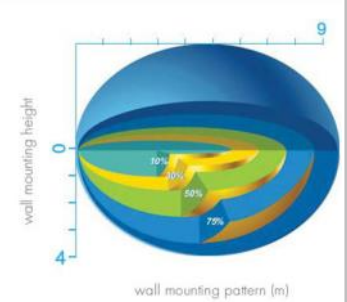
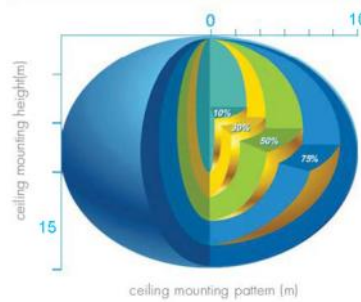
**Weight:** 2kg

**Optional:**

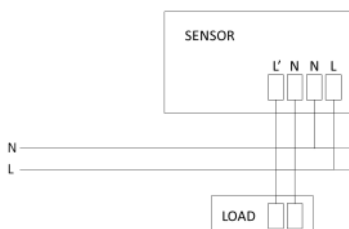
- MWS-BKT: Adjustable mounting bracket



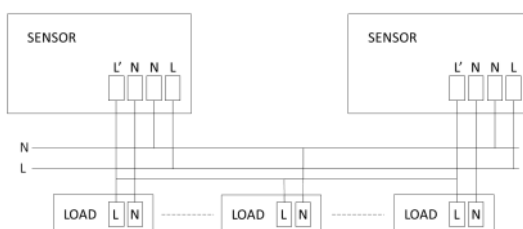
### Detection Pattern



### ON/OFF Function



### Synchronised Control Function



### corridorFunction (DALI drivers)

